



ROGERS SPRAYERS INC.

141 - 105th Street East
Saskatoon, SK S7N 1Z2
Canada

Phone: (306) 975-0500
Fax: (306) 975-0499
Email: info@rogerssprayers.com
Web: www.rogerssprayers.com

ETT650

Electric Turf Tower



Assembly, Parts and Operator's Manual

Version ETT650-2504

Rogers Sprayers Inc.

Toll Free 1-888-975-8294

www.rogerssprayers.com

Table of Contents

Safety	3
Operational Safety	3
General Spraying Information	3
Application Tips.....	3
Nozzles	4
Diaphragm Check Valve Nozzle Bodies	4
Calibration	4
General Maintenance	5
Cleaning	5
Winterizing	6
Operation	6
Application Rate Tables	7
Assembly Instructions	9
Wand Kit Instructions	10
Drawings and Replacement Parts	12
ETT650 Shroud Assembly	12
ETT650 Frame Assembly	13
ETT650 Plumbing Assembly.....	14
Flow Kit ETT650.....	15
Wand Kit ETT	16
Wiring Harness.....	17
Warranty.....	18

Visit our website, www.rogerssprayers.com, for additional models.

Safety

Many people die or suffer serious injury in job related accidents every year due to carelessness. Know your machinery and be aware of potential hazards. Put safety first in all your operations.

Review all instructions and procedures outlined in this manual annually. Every operator must familiarize himself with the operating instructions of the sprayer.

Operational Safety

Shut down sprayer and power unit and wait for all parts to stop before adjusting, cleaning, or lubricating the power unit or sprayer.

Before spraying a field familiarize yourself with any rocks, debris, trees, ditches or gullies that may be potentially dangerous. Plan the spraying route to avoid these hazards.

Spray only chemicals that the unit was designed for, (ie turf application). Do not use products for which the unit was not designed, (ie PAINT, sealants, cleaning fluids, dust inhibitors, ice surfaces).

Minimize Chemical Drift

The **Windfoil** sprayer was designed in a wind tunnel to control air flow around and behind the sprayer minimizing drift to allow safer spraying in windy conditions.

Drift can blow off a field after it has been sprayed, especially in high winds. Reasonable caution should be taken in order to spray effectively and safely.

For maximum drift control, keep curtain in contact with the ground to ensure a seal to it. Drift control of the *Windfoil* is less effective when the wind blows the curtain off the crop canopy breaking the seal between the curtain and the crop.

General Spraying Information

Application Tips

Always use clean filtered water in the sprayer tank.

Your **Windfoil** Drift Containment Spray System (DCSS) comes standard with ceramic insert tips. (Considered to be the most durable in the industry)

The Turf Electric is equipped with standard 80° flat fan spray tips, spaced at 12". The tip/cap combo are installed with self-aligning ¼ turn caps for easy removal or change.

Check the flow rate from all nozzles using the capacity calibration technique; see the Calibration section for tables and instructions. Use clean filtered water for all calibration testing. Adjust the sprayer pressure to get the proper flow rate. The flow meter is not accurate enough in absolute terms to be used as a flow meter. In relative terms they are very accurate.

<p>Caution: Conventional tips are rated at 40 psi (3 bar), for example a 80015 tip at 40 psi (3 bar) delivers 0.15 US gal/min (0.56 litres/min) . Conventional 80° tips are recommended for the Windfoil ETT series for standard spraying. Wider angle tips (110°) have a wider pattern than 80° and can be installed in the end nozzles to get complete end-to-end spray, but note the spray will hit the curtain at the ends of the boom and drip down.</p>

Nozzles

Despite being the most important component for accurate uniform spraying application, nozzles are often neglected and abused.

Nozzle flow rate depends on effective orifice size and pressure. Spray tip manufacturers have supplied tables of nozzle application rates at various pressures, for the best results it is recommended that you follow these guidelines.

The rule of thumb is that as you increase the pressure to your unit the average droplet size decreases. Normally with conventional open boom sprayers large droplets are used to control drift but large droplets can roll off plants without sticking. With the **Windfoil** covered spray system you will be able to spray with smaller droplets, increase coverage and not worry about drift.

The spray patterns must overlap for even coverage but should not interfere with one another. Nozzles are set at a 10° angle so that one edge of its pattern will be just behind the edge of its adjacent spray pattern, evading interference with each other.

Typically, as a tip wears, the spray pattern distorts, output volumes usually increase and the droplet characteristics change. Recalibration may correct for output changes, but cannot correct for spray pattern changes or the drop size generated.

Caution: When spraying next to a flower bed, do not spray over the turf edge as the spray will go under the curtain and onto the flowers.

Diaphragm Check Valve Nozzle Bodies

Diaphragm check valves close at approximately 20 psi (1.4 bar) to prevent excessive dripping. Should the cap on the valve loosen or the check valve diaphragm become misaligned, the body may leak. Stop the leak by, tightening the check valve cap or remove the cap and inspect the seal for damage or improper assembly.

To check for defective check valves when the spraying stop control has been actuated, the volume that drips from each nozzle should not exceed 2ml timed over a 5 minute period. The measuring is to start 8 seconds after the flow to the spray boom is shut off.

Nozzle caps are attached by engaging the cap and turning clockwise about a third of a turn. Self-aligning caps have a slot to align the tips. Ensure that the tips fit down into the slotted hole before installing caps on the diaphragm nozzle body assembly with the tip screens.

Non-aligning caps are also available for special tips.

Calibration

As a tip wears recalibration may be required. To calibrate, operate the sprayer at the desired pressure. Collect the output from each nozzle for 60 seconds, using an accurate measuring cup. Record the output from each nozzle. Replace nozzles that are more than 5% above or below the average reading, or have a visibly distorted spray pattern.

Run a speed test in the area to be sprayed, with a full tank. The sprayer must be at operating speed before starting the test run. To determine the speed, mark off a distance as found on one of the tables below. Spray this distance, carefully noting and recording the time to cover the distance.

The actual speed can be found for the specific distance traveled and time to travel, using the table.

After the nozzles have been individually checked, the sprayer should be calibrated to determine the correct speed for the desired application volume. To get area covered, multiply the width [ETT650, 6.0' (1.83m) X distance.

Table 1: Time in Seconds to Travel Distance of:

	10	25	50	100	200
mph	(ft)	(ft)	(ft)	(ft)	(ft)
1	6.8	17.0	34.1	68.2	136.0
1.5	4.5	11.4	22.7	45.5	90.9
2	3.4	8.5	17.0	34.1	68.2
2.5	2.7	6.8	13.6	27.3	54.5
3	2.3	5.7	11.4	22.7	45.5
4	1.7	4.3	8.5	17.0	34.1
5	1.4	3.4	6.8	13.6	27.3
6	1.1	2.8	5.7	11.4	22.7

Table 2: Time in Seconds to Travel a Distance of:

	10	25	50	100	200
Km/h	(m)	(m)	(m)	(m)	(m)
1	36.0	90.0	180.0	360.0	720.0
1.5	24.0	60.0	120.0	240.0	480.0
2	18.0	45.0	90.0	180.0	360.0
2.5	14.4	36.0	72.0	144.0	288.0
3	12.0	30.0	60.0	120.0	240.0
4	9.0	22.5	45.0	90.0	180.0
5	7.2	18.0	36.0	72.0	144.0
6	6.0	15.0	30.0	60.0	120.0

Note: Tip pressure is usually less than the pressure at the pump. Losses occur in valves, hoses, etc. Always check the flow by the above calibration method.

General Maintenance

Cleaning

Sprayers need to be cleaned to prevent corrosion and cross contamination of chemicals. Trace amounts of one chemical can react with another or carry over to the next spraying and cause crop damage, especially with pesticides. Long exposures with even small amounts of some chemicals can damage sprayer components either by corrosion or gum deposits. If you spray crops that are very susceptible to injury from the last chemical used (ie vegetables, turf, and ornamentals) clean the unit especially well.

Always try to end the day with an empty tank; avoid contamination of water supplies and injury to plants or animals. Do not make puddles that might be accessible to children, pets, farm animals, or wildlife. Flush with clean water preferably after each day's operation. If you plan to use the same material over several days most chemicals may be kept in the tank overnight, labels on the chemical usually indicates which may not. Rinse the outside of the sprayer. Surfactants combined with chemicals, when they are compatible, will provide some cleaning action in the sprayer.

Some chemical combinations (especially if oil is used) may produce a putty type paste (buttering out) in the sprayer tank and components; flushing with water after each load may prevent an accumulation. If water alone does not dissolve and remove the buildup, add solvent, kerosene, or other low flammable solvent; allow paste to dissolve, then agitate and flush. Next, flush with detergent and finally with clean water. Check with your chemical agent.

Whenever pesticides are changed, or before sprayer storage, clean sprayers thoroughly with a cleaning solution. The solution used depends on the chemical to be removed from the sprayer. Check the chemical label for cleaning instructions.

First flush with water, then add the cleaning solution to the tank and thoroughly agitate before flushing. Always flush with clean water to remove the cleaning solution. Remove nozzle tips and screens; clean them in a strong detergent solution or kerosene, using a soft brush such as an old toothbrush. Never use a metal probe to clean the orifice of a spray tip!

Follow the same safety precautions during cleaning as for applications. Use a respirator, rubber gloves, or other protective gear as may be directed by label instructions.

If a nozzle becomes blocked, turn the sprayer off. Note that the spray lines could still be pressurized therefore prior to removing the cap on the nozzle body, proper safety equipment should be worn, (ie gloves, eye protection, etc).

Sunshine

Many plastic sprayer parts are degraded by ultra violet light, especially the nozzle flow indicators. Store the sprayer in the shade to extend the length of service.

Winterizing

After the sprayer is thoroughly cleaned, put 2-5 gallons (7-19 litres) of rust inhibitor or antifreeze in the tank prior to the final flushing to help prevent corrosion. As the water is pumped from the sprayer, the antifreeze will leave a protective coating on the inside of the tank, pump, and plumbing. Remove nozzle tips, screens and no-drip valves (if used) and store them in a can of light oil such as diesel fuel or kerosene to prevent corrosion. Close nozzle openings with tape to prevent dirt, insects, mice, or other contaminants from entering.

During the final cleaning, completely check the sprayer. Look at the hoses, clamps, connections, nozzle tips, and screens for needed replacements. Store the sprayer in a reasonably clean and dry building.

Operation

With the unit fully assembled, attach the battery clips to the battery on your power unit. (be sure that the toggle switch bar is off, pump should not run once clips are on battery). (NOTE: red clip is for positive post on battery). With liquid in the tank, loosen the pressure regulator fully, ie loosen lock nut on the regulator and turn top knob on pressure regulator counter clockwise. Next turn unit on by flipping the switch on, slowly tighten pressure regulator (turn clockwise) until pressure on gauge rises to 40 psi (3 bar). (NOTE: to obtain optimum pattern, you should always try and operate your spray nozzles as close to 40 psi (3bar) as possible). Due to losses in the system you might want to run your system at 42-43 psi, this should give you close to 40 psi at the tip. (NOTE: Be careful not to run the pump on an empty tank, this could cause a vapour lock in the system. To fix the problem, make sure there is something in the tank, remove the output supply hose on the pump and start the system, take precautions as your chemical will start coming through the pump, once the liquid starts flowing shut the system off, reconnect the line and continue spraying). Watch the ball in the flow indicator as you spray, If the ball is not floating it indicates tips that are plugged or partially plugged. Check and clean the appropriate tip(s). If the ball is right at the top, the flow rate is too high. Replace the ball with the required ball for the tips (see the flow monitor page).

Test the unit using clear water on a firm surface such as asphalt or concrete before using spray solution. This will illustrate the effectiveness of the individual spray patterns.

Note: As this is a self contained sprayer with a small tank and does not have a separate fresh water tank, it is recommended that when filling and working with chemicals a fresh water supply is always kept in close proximity for safety reasons.

American Application Rates at 12" Nozzle Spacing 80 Deg. Tips

Rogers Part #	Tip Number	Tip Mfg	Liquid Press psi	Liquid Press bars	Capacity 1 nozzle gpm	U. S. GALLONS PER ACRE					U. S. GALLONS PER 1000 SQ. FT.				
						2.5	3	4	5	7	2.5	3	4	5	7
						mph	mph	mph	mph	mph	mph	mph	mph	mph	mph
05872	800067SS (200 mesh)	Teejet	30	2.07	0.058	11.5	9.6	7.2	5.7	4.1	0.26	0.22	0.16	0.13	0.09
			40	2.76	0.067	13.3	11.1	8.3	6.6	4.7	0.30	0.25	0.19	0.15	0.11
			50	3.45	0.075	14.8	12.4	9.3	7.4	5.3	0.34	0.28	0.21	0.17	0.12
			60	4.14	0.082	16.2	13.5	10.2	8.1	5.8	0.37	0.31	0.23	0.19	0.13
01369	8001VS (100 mesh)	Teejet	30	2.07	0.087	17.1	14.3	10.7	8.6	6.1	0.39	0.33	0.25	0.20	0.14
			40	2.76	0.100	19.8	16.5	12.4	9.9	7.1	0.45	0.38	0.28	0.23	0.16
			50	3.45	0.112	22.1	18.4	13.8	11.1	7.9	0.51	0.42	0.32	0.25	0.18
			60	4.14	0.122	24.2	20.2	15.2	12.1	8.7	0.56	0.46	0.35	0.28	0.20
00827 15287	80015VS or AXI-80015 (100 mesh)	Teejet	30	2.07	0.130	25.7	21.4	16.1	12.9	9.2	0.59	0.49	0.37	0.29	0.21
			40	2.76	0.150	29.7	24.8	18.6	14.9	10.6	0.68	0.57	0.43	0.34	0.24
		Albuz	50	3.45	0.168	33.2	27.7	20.8	16.6	11.9	0.76	0.63	0.48	0.38	0.27
			60	4.14	0.184	36.4	30.3	22.7	18.2	13.0	0.83	0.69	0.52	0.42	0.30
05876 14384	8002VS or AXI-8002 (50 mesh)	Teejet	30	2.07	0.173	34.3	28.6	21.4	17.1	12.2	0.79	0.65	0.49	0.39	0.28
			40	2.76	0.200	39.6	33.0	24.8	19.8	14.1	0.91	0.76	0.57	0.45	0.32
		Albuz	50	3.45	0.224	44.3	36.9	27.7	22.1	15.8	1.01	0.84	0.63	0.51	0.36
			60	4.14	0.245	48.5	40.4	30.3	24.2	17.3	1.11	0.93	0.69	0.56	0.40
05877 14385	8003VS or AXI-8003 (50 mesh)	Teejet	30	2.07	0.260	51.4	42.9	32.2	25.7	18.4	1.18	0.98	0.74	0.59	0.42
			40	2.76	0.300	59.4	49.5	37.1	29.7	21.2	1.36	1.13	0.85	0.68	0.49
		Albuz	50	3.45	0.335	66.4	55.3	41.5	33.2	23.7	1.52	1.27	0.95	0.76	0.54
			60	4.14	0.367	72.7	60.6	45.5	36.4	26.0	1.67	1.39	1.04	0.83	0.59
05878 14061	8004VS or AXI-8004 (50 mesh)	Teejet	30	2.07	0.346	68.6	57.2	42.9	34.3	24.5	1.57	1.31	0.98	0.79	0.56
			40	2.76	0.400	79.2	66.0	49.5	39.6	28.3	1.81	1.51	1.13	0.91	0.65
		Albuz	50	3.45	0.447	88.5	73.8	55.3	44.3	31.6	2.03	1.69	1.27	1.01	0.72
			60	4.14	0.490	97.0	80.8	60.6	48.5	34.6	2.22	1.85	1.39	1.11	0.79
05879 14386	8005VS or AXI-8005 (50 mesh)	Teejet	30	2.07	0.433	85.7	71.4	53.6	42.9	30.6	1.96	1.64	1.23	0.98	0.70
			40	2.76	0.500	99.0	82.5	61.9	49.5	35.4	2.27	1.89	1.42	1.13	0.81
		Albuz	50	3.45	0.559	110.7	92.2	69.2	55.3	39.5	2.53	2.11	1.58	1.27	0.91
			60	4.14	0.612	121.2	101.0	75.8	60.6	43.3	2.78	2.31	1.74	1.39	0.99

NEW AXI Fast Cap / Tip Combos	
Part #	Description
15482	Tip Fast Cap AXI 80015 Green
15483	Tip Fast Cap AXI 8002 Yellow
15484	Tip Fast Cap AXI 8003 Blue
15485	Tip Fast Cap AXI 8004 Red
15486	Tip Fast Cap AXI 8005 Brown

**Metric Application Rates at 12" Spacing (0.3 meters)
80 Deg. Tips**

Rogers Part #	Tip Number	Tip Mfg	Liquid Press psi	Liquid Press bars	Capacity 1 nozzle gpm	U. S. GALLONS PER ACRE					Liters/Hectare				
						2.5	3	4	5	7	4	4.8	6.4	8	11.2
						mph	mph	mph	mph	mph	kph	kph	kph	kph	kph
05872	800067SS (200 mesh)	Teejet	30	2.07	0.058	11.5	9.6	7.2	5.7	4.1	107	90	67	54	38
			40	2.76	0.067	13.3	11.1	8.3	6.6	4.7	124	103	78	62	44
			50	3.45	0.075	14.8	12.4	9.3	7.4	5.3	139	116	87	69	50
			60	4.14	0.082	16.2	13.5	10.2	8.1	5.8	152	127	95	76	54
01369	8001VS (100 mesh)	Teejet	30	2.07	0.087	17.1	14.3	10.7	8.6	6.1	160	134	100	80	57
			40	2.76	0.100	19.8	16.5	12.4	9.9	7.1	185	154	116	93	66
			50	3.45	0.112	22.1	18.4	13.8	11.1	7.9	207	172	129	103	74
			60	4.14	0.122	24.2	20.2	15.2	12.1	8.7	227	189	142	113	81
00827 or 15287	80015VS AXI-80015 (100 mesh)	Teejet	30	2.07	0.130	25.7	21.4	16.1	12.9	9.2	240	200	150	120	86
			40	2.76	0.150	29.7	24.8	18.6	14.9	10.6	278	231	174	139	99
		Albuz	50	3.45	0.168	33.2	27.7	20.8	16.6	11.9	310	259	194	155	111
			60	4.14	0.184	36.4	30.3	22.7	18.2	13.0	340	283	213	170	121
05876 or 14384	8002VS AXI-8002 (50 mesh)	Teejet	30	2.07	0.173	34.3	28.6	21.4	17.1	12.2	321	267	200	160	115
			40	2.76	0.200	39.6	33.0	24.8	19.8	14.1	370	309	231	185	132
		Albuz	50	3.45	0.224	44.3	36.9	27.7	22.1	15.8	414	345	259	207	148
			60	4.14	0.245	48.5	40.4	30.3	24.2	17.3	453	378	283	227	162
05877 or 14385	8003VS AXI-8003 (50 mesh)	Teejet	30	2.07	0.260	51.4	42.9	32.2	25.7	18.4	481	401	301	240	172
			40	2.76	0.300	59.4	49.5	37.1	29.7	21.2	555	463	347	278	198
		Albuz	50	3.45	0.335	66.4	55.3	41.5	33.2	23.7	621	517	388	310	222
			60	4.14	0.367	72.7	60.6	45.5	36.4	26.0	680	567	425	340	243
05878 or 14061	8004VS AXI-8004 (50 mesh)	Teejet	30	2.07	0.346	68.6	57.2	42.9	34.3	24.5	641	534	401	321	229
			40	2.76	0.400	79.2	66.0	49.5	39.6	28.3	741	617	463	370	264
		Albuz	50	3.45	0.447	88.5	73.8	55.3	44.3	31.6	828	690	517	414	296
			60	4.14	0.490	97.0	80.8	60.6	48.5	34.6	907	756	567	453	324
05879 or 14386	8005VS AXI-8005 (50 mesh)	Teejet	30	2.07	0.433	85.7	71.4	53.6	42.9	30.6	802	668	501	401	286
			40	2.76	0.500	99.0	82.5	61.9	49.5	35.4	926	771	579	463	331
		Albuz	50	3.45	0.559	110.7	92.2	69.2	55.3	39.5	1035	862	647	517	370
			60	4.14	0.612	121.2	101.0	75.8	60.6	43.3	1134	945	709	567	405

NEW AXI Fast Cap / Tip Combos	
Part #	Description
15482	Tip Fast Cap AXI 80015 Green
15483	Tip Fast Cap AXI 8002 Yellow
15484	Tip Fast Cap AXI 8003 Blue
15485	Tip Fast Cap AXI 8004 Red
15486	Tip Fast Cap AXI 8005 Brown

Set up Instruction

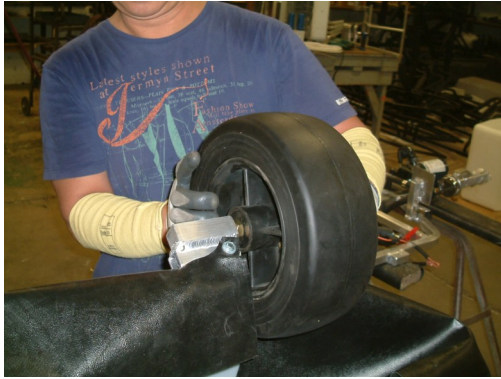


FIGURE 1



FIGURE 2

First take all the components out of the box. Tip main boom upside down on saw horses or a table and install the 2 wheel assemblies as shown above in Figure 1. Return the boom to the upright position and mount the airfoil as shown in Figure 2. Place one washer on top of the airfoil and another one under the shroud, only the standoff is between the shroud and airfoil. Take hitch assembly and mount it to the shroud frame using 4 x 2" bolts. (as shown in Figure 3) Next place the tank on the hitch frame as shown in Figure 4.



FIGURE 3

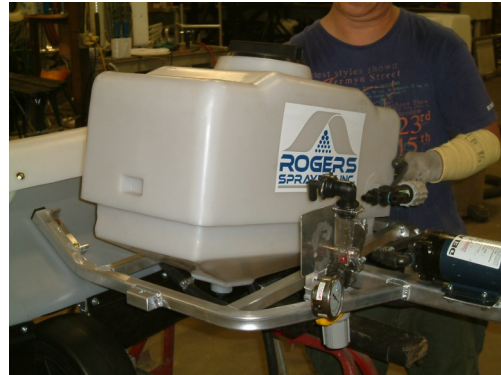


FIGURE 4



FIGURE 5



FIGURE 6

Use tank lock bolts on each end to fasten tank down to hitch frame. Do not overtighten, see Figure 5. Connect feed hose to bottom of tank as shown in Figure 6.

Assembly Instructions

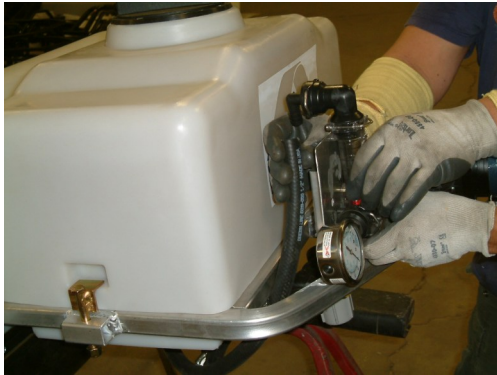


FIGURE 7



FIGURE 8

Mount flow indicator to mounting plate as shown in Figure 7, make sure just to snug up bolt, do not over tighten as this is a plastic body. (See Figure 8). There is one bolt on the 350 model, two bolts on the 450 and 650 models. Once finished the plumbing on the ETT350 should look like Figure 10. the ETT450 & 650 should be the same except for a 2 column flow indicator.



FIGURE 9



FIGURE 10

Wand Kit Instructions



FIGURE 11



FIGURE 12

Remove clip from flow indicator, pull fitting out of clear ORC body as shown above in Figure 11. Undo hose clamp on other end of hose and unthread 1/2" adaptor from tee. Keep hose and ORC adaptor together, will be used again. Spin out 1/2" adaptor fitting from tee.

Wand Kit Instructions



FIGURE 13



FIGURE 14

Install ball valve into tee, shown above in Figure 13. Connect ORC fitting back into clear body of ORC. Line up hose and 1/2" adaptor in ball valve and trim to fit as shown in Figure 14, install hose.



FIGURE 15



FIGURE 16

Thread one end of coil hose into top of tee as shown above in Figure 15. Take small piece of dock seal material, wrap it around the coil hose and use the white clamps with the tek screws to attach hose to side of frame. See Figure 16.



FIGURE 17



FIGURE 18

Remove center bolt from airfoil and mount top wand holder as shown above in Figure 17. Drill hole (or use self tapping tek screw) and install lower wand holder as shown above in Figure 18. Coil hose should now rest between tank and shroud.

ETT650 Shroud Assembly Part # 15619

PARTS LIST			
ITEM	QTY	PART#	DESCRIPTION
1	8	00968	NUT NYLOCK 1/4" PLD
2	10	01152	SCREW MACH. #10-24x3/4, TRUSS
3	10	01153	NUT, NYLOCK #10-24 PLD
4	16	01157	WASHER FLAT, 1/4"
5	10	01183	WASHER FLAT #10
6	1	01398	SERIAL PLATE
7	8	05415	BOLT, 1/4NCx4, PLD
8	1	14207	FLEXISHIELD HANGER, 44.625"
9	1	14209	FLEXI-SHIELD 9.625Wx44"
10	15	14472	SCREW TEK #12x1-1/4
11	8	14843	AIRFOIL STANDOFF BACK TUBE
12	1	15529ETT	SHROUD LP 86 GREY PREP ETT
13	1	15545	FLEXI-SHIELD 9.625Wx139"
14	1	15546	FLEXI-SHIELD HANGER 139"
15	1	15567	AIRFOIL 86" PREPPED WG/WE

DESIGN:	ROGERS SPRAYERS INC.
DATE CREATED:	26/10/2015
DATE CHECKED:	15619
SCALE:	1/14
MATERIAL:	
SIZE:	A

ETT650 Frame Assembly Part # 15620

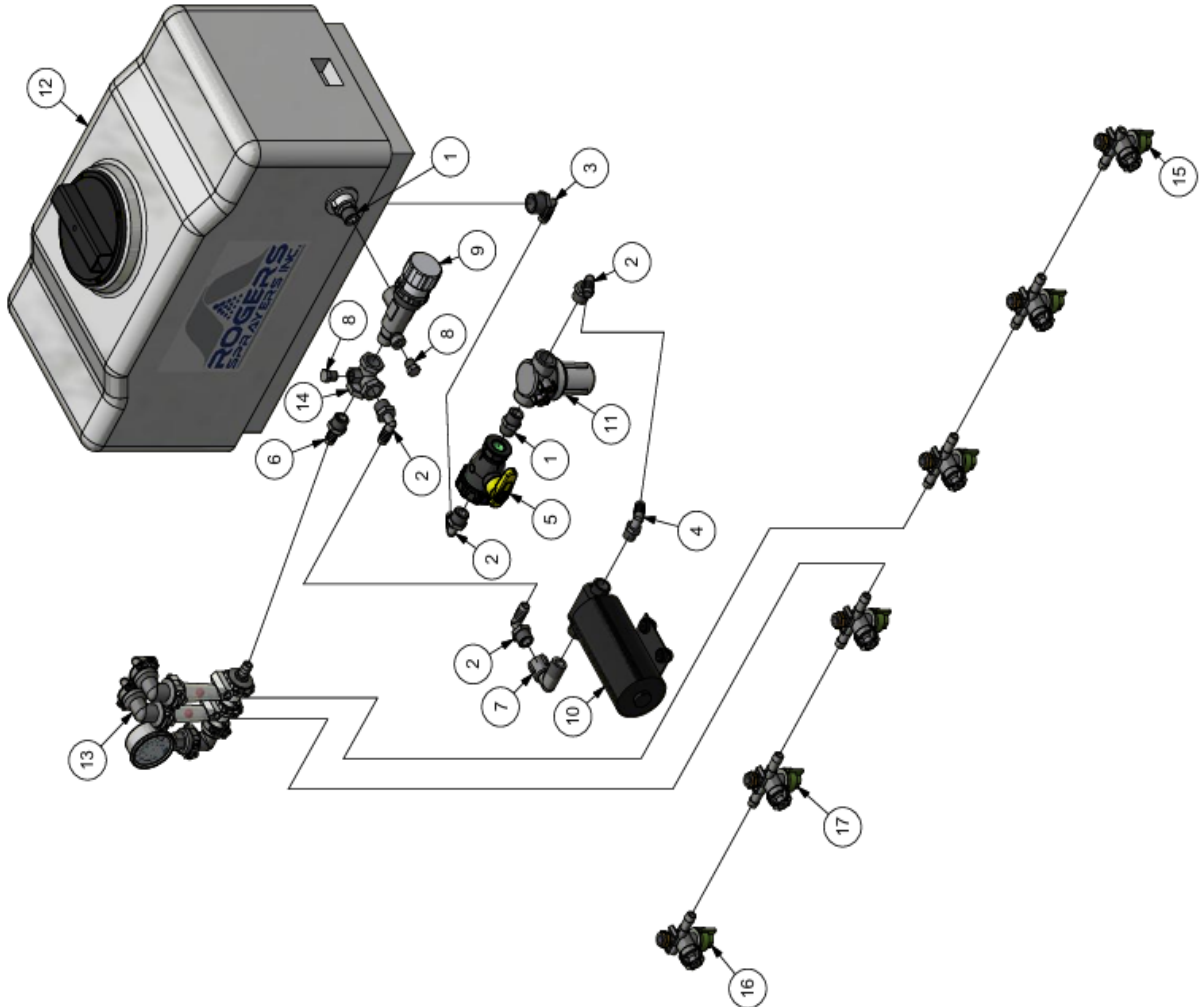
PARTS LIST			
ITEM	QTY	PART#	DESCRIPTION
1	2	00956	NUT NYLOCK 3/8NC PLD
2	8	00968	NUT NYLOCK 1/4NC PLD
3	2	01056	PLUG PLASTIC 1 SQUARE
4	1	01057	PLUG PLASTIC 1-1/2 SQUARE
5	4	01070	BOLT 1/4NCX2 PLD
6	4	01153	NUT NYLOCK #10 PLD
7	4	01183	WASHER FLAT #10
8	4	05594	SCREW MACH C #10-24X1.25
9	2	12387	BOLT 5/8NCX5 PLD
10	2	13709	NUT JAM 5/8NC PLD
11	1	14005	HITCH PLATE ETT/BB
12	2	14471	SCREW TEK #12X1 NEPRN WASHER
13	2	15929	WHEEL EP LD
14	2	14509	BOLT M6-1.00 X 12MM HEX
15	2	15899	BOLT CARRIAGE 1/4NCX2.5
16	1	15604	HITCH ETT W/50 LITER TANK
17	2	15605	TANK LOCK ASSEMBLY, 50 LIT
18	1	15624	FRAME LP 86
19	2	05567	WASHER LOCK 1/4 PLD
20	2	05409	BOLT 1/4NCX1-3/4 PLD

DRAWN: DARSHAN BEJPAL		ROGERS SPRAYERS INC.	
DATE PREPARED: 11/11/11		TITLE: ETT650 FRAME ASSEMBLY	
PROJECT: ETT650		DWG NO: 15620	
DATE CHECKED: 11/11/11		SCALE: 1:1	
MATERIAL: 6061 AL		SIZE: A	

ETT650 Plumbing Assembly Part # 15621



LID PART# = 15403

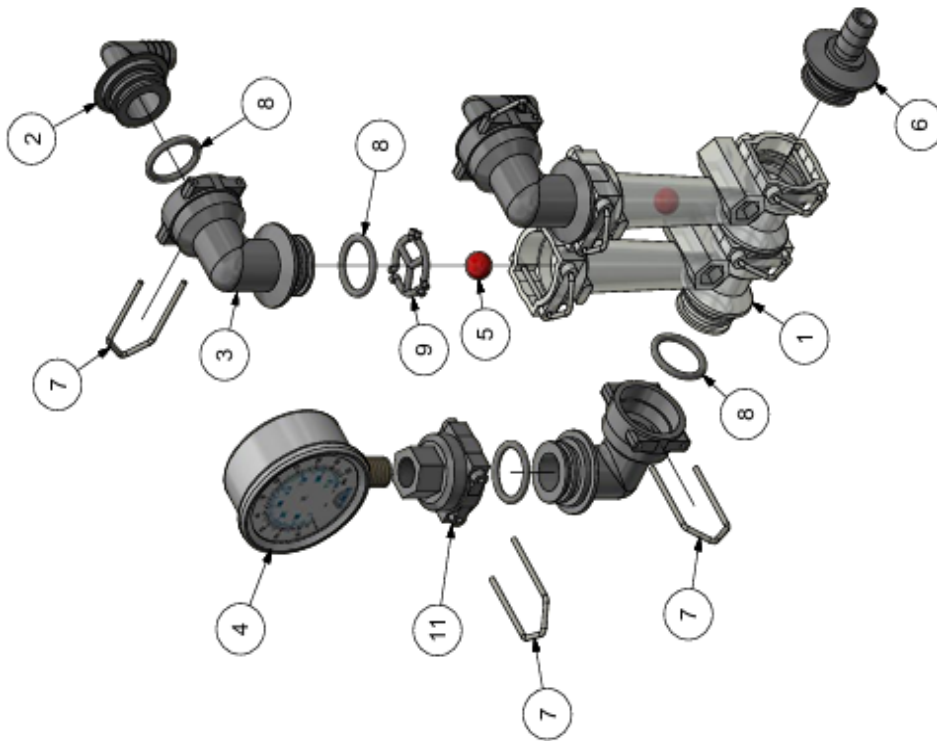


ITEM	QTY	PART#	DESCRIPTION
1	2	01085	FTG POLY NIPPLE 1/2MNPT/MNPT
2	4	01235	FTG POLY ELB 1/2MNPTX1/2HB
3	1	01243	FTG POLY ELB 3/4MNPTX1/2HB
4	1	01247	FTG POLY ELB 3/8MNPTX1/2HB
5	1	01249	VALVE BALL POLY 1/2FNPT
6	1	05527	FTG POLY ADPT 1/2MNPTX1/2HB
7	1	05766	FTG POLY ELB ST 1/2 NPT
8	2	06429	FTG POLY PLUG 1/4MNPT
9	1	12818	REGULATOR PRESSURE NYLON 1/2 SS
10	1	14498	PUMP 12V DEL 7870 SERIES
11	1	14506	STRAINER LINE 1/2 COMPACT W/MT
12	1	15543ETT	TANK REC 50 LITER ETT
13	1	15675	FLOW KIT ETT SERIES 2COOL
14	1	15689	FTG POLY TEE 1/2 W/GUJAGE PORT
15	1	15817	NOZZLE ASBY, S T/JL FC15
16	1	15818	NOZZLE ASBY, S T/JR FC15
17	4	15819	NOZZLE ASBY, S T/JT FC15

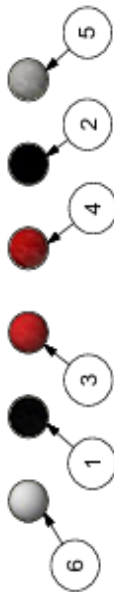
DRAWN: PRASAD, J		ROGERS SPRAYERS INC.	
DATE CREATED:		TITLE	
PROJECT:		ETT650 PLUMBING ASSEMBLY	
ETT SERIES:		DWG NO	
DATE CHECKED:		15621	
SUBNO:		SCALE	
1 / 9		MATERIAL:	
		SIZE	
		A	

Flow Kit ETT650 Part # 15675

PARTS LIST			
ITEM	QTY	PART#	DESCRIPTION
1	2	00889	FLOWMONITOR BODY ORC
2	2	00906	FTG WIL POLY ELB ST MORCXFORC
3	3	01115	FTG WIL POLY ELB ST MORCXFORC
4	1	01281	GAUGE PRESSURE 100PSI WET
5	2	11965	BALL FI. GLASS RED/BLUE (0.09-0.72)
6	1	11975	FTG WIL POLY ADPT MORCX1/2HB
7	8	11976a	ORC CLIP A STYLE
8	8	11984	O-RING ORC FLOWMONITOR
9	2	11989	BALL RETAINER ORC FLOWMONITOR
11	1	14423	FTG WIL POLY CAP W-1/4FNPT



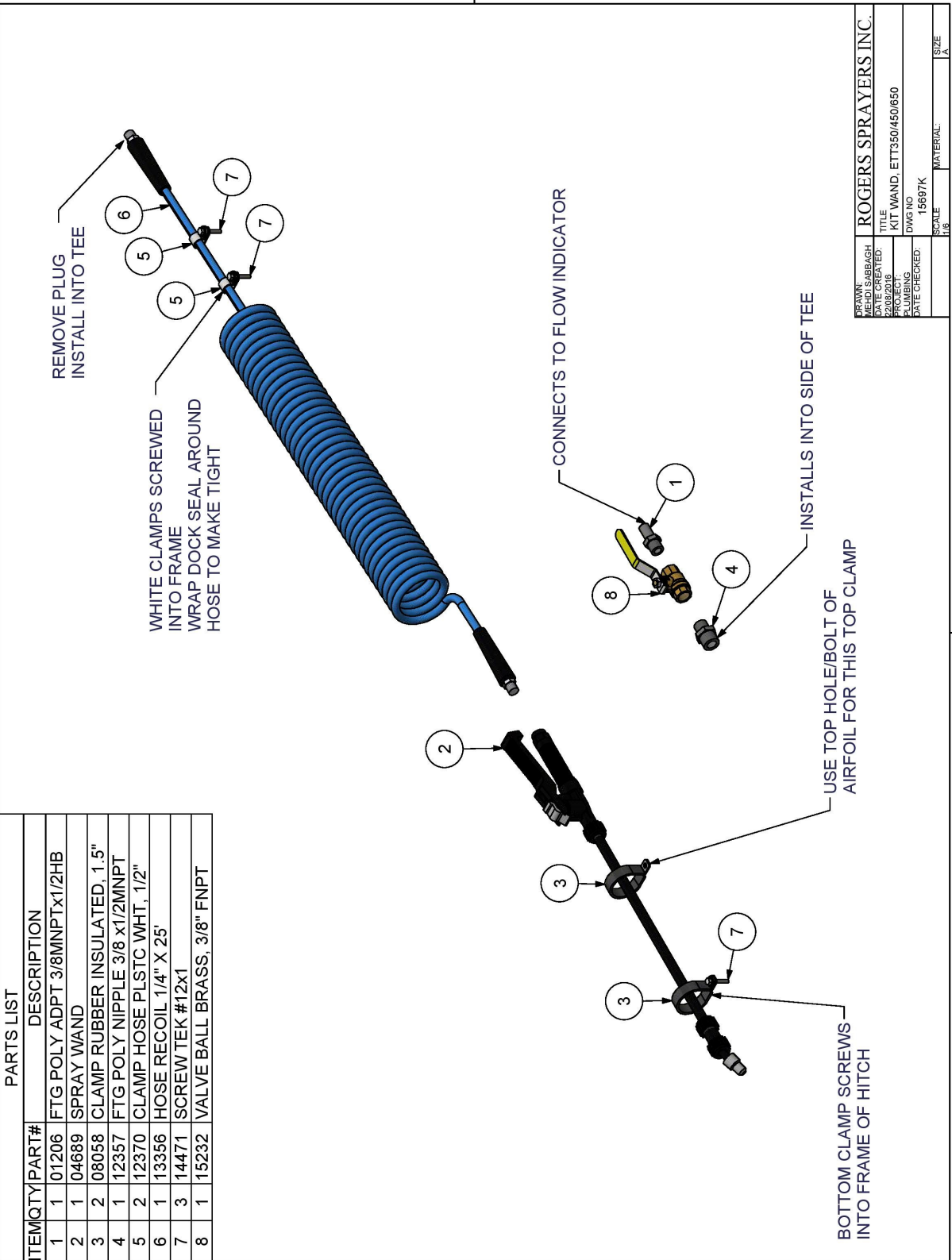
PARTS LIST			
ITEM	QTY	PART#	DESCRIPTION
1	1	01118	BALL FI. POLYP BLACK (0.09-0.3)
2	1	01119	BALL FI. POLYP GREEN (0.05-0.18)
6	1	11964	BALL FI. POLYP WHITE (0.05-0.20)
4	1	11965	BALL FI. GLASS RED/BLUE (0.09-0.72)
3	1	11990	BALL FI. CELCON RED (0.09-0.30)
5	1	11991	BALL FI. SS (0.31-1.33)



DESIGNED BY: JEP/AL	DATE CREATED:	ROGERS SPRAYERS INC.
PROJECT:	FLOW KIT ETT SERIES 2COL	TITLE
ETT SERIES:	15675	DWG NO
DATE CHECKED:	5/28/18	SCALE:
SIZE:	A	MATERIAL:

Wand Kit ETT Part # 15697K

PARTS LIST	
ITEM QTY	PART# DESCRIPTION
1	01206 FTG POLY ADPT 3/8MNPTx1/2HB
2	04689 SPRAY WAND
3	08058 CLAMP RUBBER INSULATED, 1.5"
4	12357 FTG POLY NIPPLE 3/8 x1/2MNPT
5	2 12370 CLAMP HOSE PLSTC WHT, 1/2"
6	1 13356 HOSE RECOIL 1/4" X 25'
7	3 14471 SCREW TEK #12x1
8	1 15232 VALVE BALL BRASS, 3/8" FNPT



REMOVE PLUG
INSTALL INTO TEE

WHITE CLAMPS SCREWED
INTO FRAME
WRAP DOCK SEAL AROUND
HOSE TO MAKE TIGHT

CONNECTS TO FLOW INDICATOR

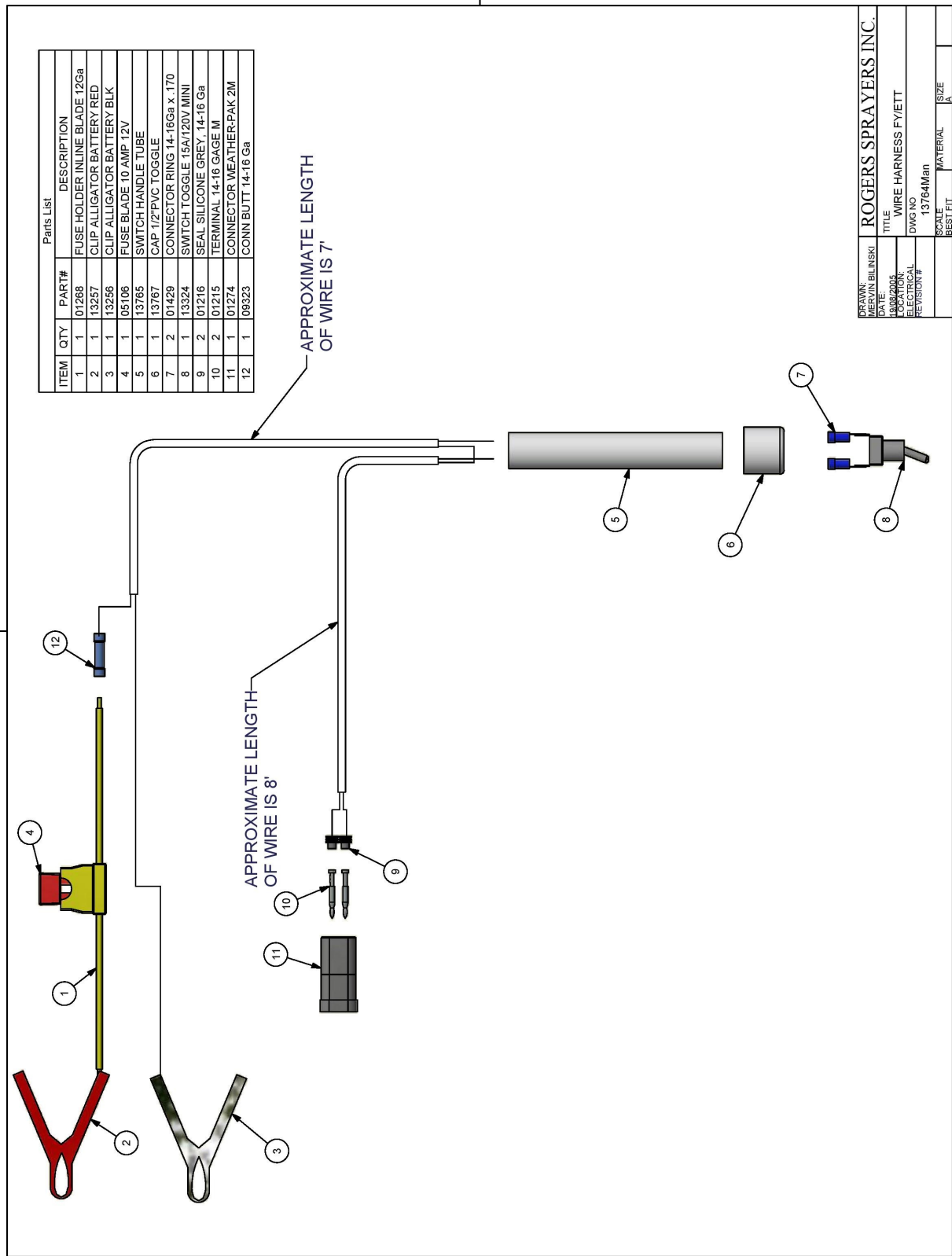
INSTALLS INTO SIDE OF TEE

USE TOP HOLE/BOLT OF
AIRFOIL FOR THIS TOP CLAMP

BOTTOM CLAMP SCREWS
INTO FRAME OF HITCH

DRAWN: CBR/ASH	ROGERS SPRAYERS INC.
DATE CREATED: 22/08/2018	TITLE KIT WAND, ETT350/450/650
PROJECT: FLUORING	DWG NO 15697K
DATE CHECKED:	SCALE 1:1
	MATERIAL: A
	SIZE A

ETT Wiring Harness Part # 13764



DRAWN: MERVIN BILINSKI		ROGERS SPRAYERS INC.	
DATE:		TITLE: WIRE HARNESS FY/ETT	
DESIGNER:		DWG NO: 13764	
ELECTRICAL REVISION #:		SCALE: BEST FIT	
		MATERIAL: Man	
		SIZE: A	

Rogers Sprayers Inc. (RSI)
141 - 105th Street East
Saskatoon, SK S7N 1Z2 Canada



Tel.: (306) 975-0500 or (888) 975-8294
Fax: (306) 975-0499
Email: info@rogerssprayers.com

ROGERS SPRAYERS INC OWNER WARRANTY AGREEMENT

Windfoil Drift Containment Spray Systems (DCSS) are warranted to be free of factory defects under normal and intended use for a period of one (1) year from date of purchase to the original purchaser. Equipment must be setup in accordance with factory instructions and operated, maintained and used in accordance with the operator's manual. Equipment used for rental has a warranty period of forty five (45) days. Any customization or modifications to the original equipment voids warranty immediately.

RSI reserves the right not to warranty any items that are not directly manufactured by RSI. Such components need to be returned to the factory for inspection and tested by either RSI or the original manufacturer for defects. Examples of these parts include actuators, engines, pumps and electrical systems.

All warranty Claims must be pre-authorized by the factory!

To obtain warranty, all defective parts must be returned to the factory; in some cases, location of part might require only photo of defective part. RSI must be contacted to determine which route is required. RSI through its designated dealer or factory appointed representative will repair or replace, at its option, any or all parts that are proven to be defective free of charge.

RSI DOES NOT pay or reimburse for any travel time or investigation time to determine the defective part. Warranty labor will be based on the time required for RSI to replace only the part. Warranty labor rates and replacement times will be assessed yearly and will be included in a labor replacement sheet.

This warranty does not apply to damage caused by misuse, accident, acts of god, and/or operation without proper servicing. RSI will not be responsible for consequential damages; its liability is limited to replacement of parts.

Standard wear components (see list) such as belts, nozzles, screens, bearings, wheels, flow indicator bodies or flow indicator parts are only warranted for 30 days after original purchase.

RSI makes no other expressed, implied or statutory warranty; nor is anyone authorized to make any on our behalf.

Complete your Warranty Registration online at www.rogerssprayers.com

The warranty registration is found on the Contact page of our website. The warranty registration **MUST** be filled out completely and submitted to RSI to activate the warranty. If you would prefer, a printable copy is also available online.

It is our intention to manufacture durable, user-friendly products. Any suggestions you have as to how we may improve our equipment are greatly appreciated.



ROGERS SPRAYERS INC.

141 - 105th Street East
Saskatoon, SK S7N 1Z2
Canada

Phone: (306) 975-0500
Fax: (306) 975-0499
Email: info@rogerssprayers.com
Web: www.rogerssprayers.com