



ROGERS SPRAYERS INC.

141 - 105th Street East
Saskatoon, SK S7N 1Z2
Canada

Phone: (306) 975-0500
Fax: (306) 975-0499
Email: info@rogerssprayers.com
Web: www.rogerssprayers.com

WE6 Windfoil Electric 6-ft Covered Walking Sprayer



Assembly, Parts and Operator's Manual

Version WE6-1804

Table of Contents

SAFETY	3
Operational Safety	3
GENERAL SPRAYING INFORMATION	3
Application Tips	3
Nozzles	4
Diaphragm Check Valve Nozzle Bodies.....	4
Calibration	4
Capacities of Electric Walkers	5
Application Rate Tables, 12” spacing.....	6-7
Speed Test Table.....	8
GENERAL MAINTENANCE	8
Cleaning	8
Sunshine	9
Winterizing.....	9
ASSEMBLY	9
Front Wheel Installation	9
Handle attachment.....	9
Hose & Tank	9
Last Check	10
OPERATION	10
MAINTENANCE	10
DRAWINGS AND REPLACEMENT PARTS	
WE6 Frame Assembly.....	11
WE6 Shroud Assembly.....	12
Flowmonitor Assembly.....	13
Plumbing Assembly.....	14
Electrical Assembly	15
Optional Accessories.....	16
Warranty Agreement.....	17
CE Declaration of Conformity.....	18

Safety

Many people die or suffer serious injury in job related accidents every year due to carelessness. Know your machinery and be aware of potential hazards. Put safety first in all your operations.

Review all instructions and procedures outlined in this manual annually. Every operator must familiarize himself with the operating instructions of the sprayer.

Operational Safety

Shut down sprayer and power unit and wait for all parts to stop before adjusting, cleaning, or lubricating the power unit or sprayer.

Before spraying a field familiarize yourself with any rocks, debris, trees, ditches or gullies that may potentially be dangerous. Plan the spraying route to avoid these hazards.

Spray only chemicals that unit was designed for, (ie turf application). Do not use products for which unit was not designed, (ie PAINT, sealants, cleaning fluids, dust inhibitors, ice surfaces).

Minimize Chemical Drift

The **Windfoil** sprayer was designed in a wind tunnel to control air flow around and behind the sprayer minimizing drift to allow safer spraying in windy conditions.

Drift can blow off a field after it has been sprayed, especially in high winds. Reasonable caution should be taken in order to spray effectively and safely.

For maximum drift control, keep curtain in contact with the ground to ensure a seal to it. Drift control of the *Windfoil* is less effective when the wind blows the curtain off the crop canopy breaking the seal between the curtain and the crop.

General Spraying Information

Application Tips

Always use clean filtered water in the sprayer tank.

Your **Windfoil** Drift Containment Spray System (DCSS) comes standard with stainless steel insert tips. Please contact your manufacturer or see the application rate table in this manual for various sizes of tips available for your machine.

Check the flow rate from all nozzles using the capacity calibration technique; see the Calibration section for tables and instructions. Use clean filtered water for all calibration testing. Adjust the sprayer pressure to get the proper flow rate. The flow meters are not accurate enough in absolute terms to be used as a flow meter. In relative terms they are very accurate.

Caution:	Conventional tips are rated at 40 psi (3 bar), for example a 8004 tip at 40 psi (3 bar) delivers 0.4 US gal/min (1.5 litres/min) . Only conventional 80° tips are recommended for the Windfoil WE series. Wider angle tips (110°) have a wider pattern than 80° and will hit the curtain at the ends of the boom and are not recommended.
-----------------	--

Nozzles

Despite being the most important component for accurate uniform spraying application, nozzles are often neglected and abused.

Nozzle flow rate depends on effective orifice size and pressure. Spray tip manufacturers have supplied tables of nozzle application rates at various pressures, for the best results it is recommended that you follow these guidelines.

The rule of thumb is that as you increase the pressure to your unit the average droplet size decreases. Normally with conventional open boom sprayers large droplets are used to control drift but large droplets can roll off plants without sticking. With the **Windfoil** covered spray system you will be able to spray with smaller droplets, increase coverage, and not worry about drift.

The spray patterns must overlap for even coverage but should not interfere with one another. Nozzles are set at a 10° angle so that one edge of its pattern will be just behind the edge of its adjacent spray pattern, evading interference with one another.

Typically as a tip wears the spray pattern distorts output volumes usually increase, and the droplet characteristics change. Recalibration may correct for output changes, but cannot correct for spray pattern changes or the drop size generated.

Caution: When spraying next to a flower bed, do not spray over the turf edge as the spray will go under the curtain and onto the flowers.
--

Diaphragm Check Valve Nozzle Bodies

Diaphragm check valves close at approximately 15 psi (1 bar) to prevent excessive dripping. Should the cap on the valve loosen or the check valve diaphragm become misaligned, the body may leak. Stop the leak by, tightening the check valve cap or remove the cap and inspect the seal for damage or improper assembly.

To check for defective check valves when the spraying stop control has been actuated, the volume that drips from each nozzle should not exceed 2ml timed over a 5 minute period. The measuring is to start 8 seconds after the flow to the spray boom is shut off.

Nozzle caps are attached by engaging the cap and turning clockwise about a third of a turn. Self-aligning caps have a slot to align the tips. Ensure that the tips fit down into the slotted hole before installing caps.

Non-aligning caps are also available for special tips.

Calibration

As a tip wears recalibration may be required. Collect the output from each nozzle for 60 seconds, using an accurate measuring cup. Use clear water for all testing. Record the output from each nozzle. Replace nozzles that are more than 5% above or below the average reading, or has a visibly distorted pattern.

Capacities of Electric Walkers

Table 1 below shows the range of tips that can be used in the 3 models of electric walkers that allow the sprayer to reach 40 psi. The 3 foot walker (WE3/FE3) is capable of using 8001 tips to 8006 tips, the 6 foot walker (WE6/FE6) can run properly with only 8001 to 8003 tips. Please note that smaller tips result in better agitation, where as the larger tips give you more output but less agitation. Table 2 below shows application rates for various units, all of the calculations are based on a 3 mph walking speed. Table 3 shows the spray times for both the standard 5 and optional 10 USG tanks. In addition it shows the coverage per tank fill based on a 3 mph walking speed and 40 psi spray pressure.

Table 1

USABLE TIPS FOR THE WE/FE SERIES WALKERS

Tip Size for Electric Walkers	8001	80015	8002	8003	8004	8005	8006
WE3/FE3 - 3' Electric Walker	Yes	Yes	Yes	Yes	Yes	Yes	Yes
WE4/FE4 - 4' Electric Walker	Yes	Yes	Yes	Yes	Yes	Yes	No
WE6/FE6 - 6' Electric Walker	Yes	Yes	Yes	Yes	No	No	No

Table 2

APPLICATION RATES BASED ON WALKING SPEED OF 3 MPH.

Tip Size for Electric Walkers	8001	80015	8002	8003	8004	8005	8006
Application rate-Gallons per acre (GPA)	16.5	24.8	33	49.5	66	82.5	99
Application rate USG/1000sqft	0.38	0.57	0.76	1.13	1.51	1.89	2.27
Application rate Liters/Hectare	154	231	309	463	617	771	925

Table 3

SPRAY TIMES AND COVERAGES BASED ON WALKING SPEED OF 3 MPH WE6 & FE6 MODELS

Tip Size for Electric Walkers	8001	80015	8002	8003	8004	8005	8006
-------------------------------	------	-------	------	------	------	------	------

5 USG TANK

5 USG Tank Spray Time (min)	8.3	5.6	4.2	2.8
Coverage 6' Walker (Acres)	0.30	0.20	0.15	0.10
Coverage 6' Walker (Sq ft)	13,200	8,800	6,600	4,400
Coverage 6' Walker (Hectares)	0.123	0.082	0.061	0.041

10 USG TANK

10 USG Tank Spray Time (min)	16.7	11.1	8.3	5.6
Coverage 6' Walker (Acres)	0.61	0.40	0.30	0.20
Coverage 6' Walker (Sq ft)	26,400	17,600	13,200	8,800
Coverage 6' Walker (Hectares)	0.245	0.164	0.123	0.082

Approximate Weight of WE Series

MODEL	Weight dry (lbs)	Weight dry (kg)	Wt w/5usg tank full (lbs)	Wt w/5usgal tank full (kg)	Wt w/10usg tank full (lbs)	Wt w/10usg tank full (kg)
WE3	57.6	26.1	99.3	45	141	63.9
WE4	63.4	28.8	105.1	47.7	146.8	66.6
WE6	71.4	32.4	113.1	51.3	154.8	70.2

Application rate tables (American & Metric)

American Application Rates at 12" Nozzle Spacing 80 Deg. Tips

Rogers Part #	Tip Number	Tip Mfg	Liquid Press psi	Liquid Press bars	Capacity 1 nozzle gpm	U. S. GALLONS PER ACRE					U. S. GALLONS PER 1000 SQ. FT.				
						2.5	3	4	5	7	2.5	3	4	5	7
						mph	mph	mph	mph	mph	mph	mph	mph	mph	mph
05872	800067SS (200 mesh)	Teejet	30	2.07	0.058	11.5	9.6	7.2	5.7	4.1	0.26	0.22	0.16	0.13	0.09
			40	2.76	0.067	13.3	11.1	8.3	6.6	4.7	0.30	0.25	0.19	0.15	0.11
			50	3.45	0.075	14.8	12.4	9.3	7.4	5.3	0.34	0.28	0.21	0.17	0.12
			60	4.14	0.082	16.2	13.5	10.2	8.1	5.8	0.37	0.31	0.23	0.19	0.13
01369	8001VS (100 mesh)	Teejet	30	2.07	0.087	17.1	14.3	10.7	8.6	6.1	0.39	0.33	0.25	0.20	0.14
			40	2.76	0.100	19.8	16.5	12.4	9.9	7.1	0.45	0.38	0.28	0.23	0.16
			50	3.45	0.112	22.1	18.4	13.8	11.1	7.9	0.51	0.42	0.32	0.25	0.18
			60	4.14	0.122	24.2	20.2	15.2	12.1	8.7	0.56	0.46	0.35	0.28	0.20
00827	80015VS or	Teejet	30	2.07	0.130	25.7	21.4	16.1	12.9	9.2	0.59	0.49	0.37	0.29	0.21
			40	2.76	0.150	29.7	24.8	18.6	14.9	10.6	0.68	0.57	0.43	0.34	0.24
15287	AXI-80015 (100 mesh)	Albuz	50	3.45	0.168	33.2	27.7	20.8	16.6	11.9	0.76	0.63	0.48	0.38	0.27
			60	4.14	0.184	36.4	30.3	22.7	18.2	13.0	0.83	0.69	0.52	0.42	0.30
05876	8002VS or	Teejet	30	2.07	0.173	34.3	28.6	21.4	17.1	12.2	0.79	0.65	0.49	0.39	0.28
			40	2.76	0.200	39.6	33.0	24.8	19.8	14.1	0.91	0.76	0.57	0.45	0.32
14384	AXI-8002 (50 mesh)	Albuz	50	3.45	0.224	44.3	36.9	27.7	22.1	15.8	1.01	0.84	0.63	0.51	0.36
			60	4.14	0.245	48.5	40.4	30.3	24.2	17.3	1.11	0.93	0.69	0.56	0.40
05877	8003VS or	Teejet	30	2.07	0.260	51.4	42.9	32.2	25.7	18.4	1.18	0.98	0.74	0.59	0.42
			40	2.76	0.300	59.4	49.5	37.1	29.7	21.2	1.36	1.13	0.85	0.68	0.49
14385	AXI-8003 (50 mesh)	Albuz	50	3.45	0.335	66.4	55.3	41.5	33.2	23.7	1.52	1.27	0.95	0.76	0.54
			60	4.14	0.367	72.7	60.6	45.5	36.4	26.0	1.67	1.39	1.04	0.83	0.59
05878	8004VS or	Teejet	30	2.07	0.346	68.6	57.2	42.9	34.3	24.5	1.57	1.31	0.98	0.79	0.56
			40	2.76	0.400	79.2	66.0	49.5	39.6	28.3	1.81	1.51	1.13	0.91	0.65
14061	AXI-8004 (50 mesh)	Albuz	50	3.45	0.447	88.5	73.8	55.3	44.3	31.6	2.03	1.69	1.27	1.01	0.72
			60	4.14	0.490	97.0	80.8	60.6	48.5	34.6	2.22	1.85	1.39	1.11	0.79
05879	8005VS or	Teejet	30	2.07	0.433	85.7	71.4	53.6	42.9	30.6	1.96	1.64	1.23	0.98	0.70
			40	2.76	0.500	99.0	82.5	61.9	49.5	35.4	2.27	1.89	1.42	1.13	0.81
14386	AXI-8005 (50 mesh)	Albuz	50	3.45	0.559	110.7	92.2	69.2	55.3	39.5	2.53	2.11	1.58	1.27	0.91
			60	4.14	0.612	121.2	101.0	75.8	60.6	43.3	2.78	2.31	1.74	1.39	0.99
05880	8006VS or	Teejet	30	2.07	0.520	102.9	85.7	64.3	51.4	36.7	2.36	1.96	1.47	1.18	0.84
			40	2.76	0.600	118.8	99.0	74.3	59.4	42.4	2.72	2.27	1.70	1.36	0.97
14387	AXI-8006 (50 mesh)	Albuz	50	3.45	0.671	132.8	110.7	83.0	66.4	47.4	3.04	2.53	1.90	1.52	1.09
			60	4.14	0.735	145.5	121.2	90.9	72.7	52.0	3.33	2.78	2.08	1.67	1.19

Please note your WE6 will only spray at 40 psi using 8001 - 8003 tips. Larger tips in your unit will not produce 40 psi at the tip, thus resulting in a lower quality pattern and thus poor results.

Application rate tables (American & Metric) cont'd

Metric Application Rates at 12" Spacing (0.3 meters) 80 Deg. Tips

Rogers Part #	Tip Number	Tip Mfg	Liquid Press psi	Liquid Press bars	Capacity 1 nozzle gpm	U. S. GALLONS PER ACRE					Liters/Hectare				
						2.5	3	4	5	7	4	4.8	6.4	8	11.2
						mph	mph	mph	mph	mph	kph	kph	kph	kph	kph
05872	800067SS (200 mesh)	Teejet	30	2.07	0.058	11.5	9.6	7.2	5.7	4.1	107	90	67	54	38
			40	2.76	0.067	13.3	11.1	8.3	6.6	4.7	124	103	78	62	44
			50	3.45	0.075	14.8	12.4	9.3	7.4	5.3	139	116	87	69	50
			60	4.14	0.082	16.2	13.5	10.2	8.1	5.8	152	127	95	76	54
01369	8001VS (100 mesh)	Teejet	30	2.07	0.087	17.1	14.3	10.7	8.6	6.1	160	134	100	80	57
			40	2.76	0.100	19.8	16.5	12.4	9.9	7.1	185	154	116	93	66
			50	3.45	0.112	22.1	18.4	13.8	11.1	7.9	207	172	129	103	74
			60	4.14	0.122	24.2	20.2	15.2	12.1	8.7	227	189	142	113	81
00827 15287	80015VS or AXI-80015 (100 mesh)	Teejet	30	2.07	0.130	25.7	21.4	16.1	12.9	9.2	240	200	150	120	86
			40	2.76	0.150	29.7	24.8	18.6	14.9	10.6	278	231	174	139	99
		Albuz	50	3.45	0.168	33.2	27.7	20.8	16.6	11.9	310	259	194	155	111
			60	4.14	0.184	36.4	30.3	22.7	18.2	13.0	340	283	213	170	121
05876 14384	8002VS or AXI-8002 (50 mesh)	Teejet	30	2.07	0.173	34.3	28.6	21.4	17.1	12.2	321	267	200	160	115
			40	2.76	0.200	39.6	33.0	24.8	19.8	14.1	370	309	231	185	132
		Albuz	50	3.45	0.224	44.3	36.9	27.7	22.1	15.8	414	345	259	207	148
			60	4.14	0.245	48.5	40.4	30.3	24.2	17.3	453	378	283	227	162
05877 14385	8003VS or AXI-8003 (50 mesh)	Teejet	30	2.07	0.260	51.4	42.9	32.2	25.7	18.4	481	401	301	240	172
			40	2.76	0.300	59.4	49.5	37.1	29.7	21.2	555	463	347	278	198
		Albuz	50	3.45	0.335	66.4	55.3	41.5	33.2	23.7	621	517	388	310	222
			60	4.14	0.367	72.7	60.6	45.5	36.4	26.0	680	567	425	340	243
05878 14061	8004VS or AXI-8004 (50 mesh)	Teejet	30	2.07	0.346	68.6	57.2	42.9	34.3	24.5	641	534	401	321	229
			40	2.76	0.400	79.2	66.0	49.5	39.6	28.3	741	617	463	370	264
		Albuz	50	3.45	0.447	88.5	73.8	55.3	44.3	31.6	828	690	517	414	296
			60	4.14	0.490	97.0	80.8	60.6	48.5	34.6	907	756	567	453	324
05879 14386	8005VS or AXI-8005 (50 mesh)	Teejet	30	2.07	0.433	85.7	71.4	53.6	42.9	30.6	802	668	501	401	286
			40	2.76	0.500	99.0	82.5	61.9	49.5	35.4	926	771	579	463	331
		Albuz	50	3.45	0.559	110.7	92.2	69.2	55.3	39.5	1035	862	647	517	370
			60	4.14	0.612	121.2	101.0	75.8	60.6	43.3	1134	945	709	567	405
05880 14387	8006VS or AXI-8006 (50 mesh)	Teejet	30	2.07	0.520	102.9	85.7	64.3	51.4	36.7	962	802	601	481	344
			40	2.76	0.600	118.8	99.0	74.3	59.4	42.4	1111	926	694	555	397
		Albuz	50	3.45	0.671	132.8	110.7	83.0	66.4	47.4	1242	1035	776	621	444
			60	4.14	0.735	145.5	121.2	90.9	72.7	52.0	1360	1134	850	680	486

Please note your WE6 will only spray at 40 psi using 8001 - 8003 tips. Larger tips in your unit will not produce 40 psi at the tip, thus resulting in a lower quality pattern and thus poor results.

Speed Test tables

Run a speed test in the area to be sprayed. The sprayer must be up to speed before starting the test run. To determine the speed mark off a distance as found on one of the tables. Push the sprayer over this distance carefully noting and recording the time to cover the distance. The speed traveled can be found for the specific distance and time to travel using the tables below.

After the nozzles have been individually checked and matched, the sprayer should be calibrated to determine the correct speed for the desired application volume. To get area covered multiply the width (WE3 – 3ft(.91m), WE4 – 4ft(1.22m), WE6 – 6ft(1.83m)) x distance.

Table 4: Time in Seconds to Travel Distance of:

	10	25	50	100	200
mph	(ft)	(ft)	(ft)	(ft)	(ft)
1	6.8	17.0	34.1	68.2	136.0
1.5	4.5	11.4	22.7	45.5	90.9
2	3.4	8.5	17.0	34.1	68.2
2.5	2.7	6.8	13.6	27.3	54.5
3	2.3	5.7	11.4	22.7	45.5
4	1.7	4.3	8.5	17.0	34.1
5	1.4	3.4	6.8	13.6	27.3
6	1.1	2.8	5.7	11.4	22.7

Table 5: Time in Seconds to Travel a Distance of:

	10	25	50	100	200
Km/h	(m)	(m)	(m)	(m)	(m)
1	36.0	90.0	180.0	360.0	720.0
1.5	24.0	60.0	120.0	240.0	480.0
2	18.0	45.0	90.0	180.0	360.0
2.5	14.4	36.0	72.0	144.0	288.0
3	12.0	30.0	60.0	120.0	240.0
4	9.0	22.5	45.0	90.0	180.0
5	7.2	18.0	36.0	72.0	144.0
6	6.0	15.0	30.0	60.0	120.0

Note: Tip pressure is usually less than the pressure at the pump. Losses occur in valves, hoses, etc. Always check the flow by the above calibration method.

General Maintenance

Cleaning

Sprayers need to be cleaned to prevent corrosion and cross contamination of chemicals. Trace amounts of one chemical can react with another or carry over to the next spraying and cause crop damage, especially with pesticides. Long exposures with even small amounts of some chemicals can damage sprayer components either by corrosion or gum deposits. If you spray crops that are very susceptible to injury from the last chemical used (ie vegetables, turf, and ornamentals) clean the unit especially well.

Always try to end the day with an empty tank; avoid contamination of water supplies and injury to plants or animals. Do not make puddles that might be accessible to children, pets, farm animals, or wildlife. Flush with clean water preferably after each day's operation. If you plan to use the same material over several days most chemicals may be kept in the tank overnight, labels on the chemical usually indicate those that may not. Rinse the outside of the sprayer. Surfactants combined with chemicals, when they are compatible, will provide some cleaning action in the sprayer.

Some chemical combinations (especially if oil is used) may produce a putty type paste (buttering out) in the sprayer tank and components; flushing with water after each load may prevent an accumulation. If water alone does not dissolve and remove the buildup, add solvent, kerosene, or other low flammable solvent; allow paste to dissolve, then agitate and flush. Next, flush with detergent and finally with clean water. Check with your chemical agent.

Whenever pesticides are changed, or before sprayer storage, clean sprayers thoroughly with a cleaning solution. The solution used depends on the chemical to be removed from the sprayer. Check the chemical label for cleaning instructions.

First flush with water, then add the cleaning solution to the tank and thoroughly agitate before flushing. Always flush with clean water to remove the cleaning solution. Remove nozzle tips and screens; clean them in a strong detergent solution or kerosene, using a soft brush such as an old toothbrush. Never use a metal probe to clean the orifice of a spray tip!

Follow the same safety precautions during cleaning as for applications. Use a respirator, rubber gloves, or other protective gear as may be directed by label instructions.

If a nozzle becomes blocked, turn the sprayer off. Note that the spray lines could still be pressurized; therefore, prior to removing the cap on the nozzle body, proper safety equipment should be worn, (ie gloves, eye protection, etc).

Sunshine

Many plastic sprayer parts are degraded by ultra violet light, especially the nozzle flow indicators. Store the sprayer in the shade to extend the length of service.

Winterizing

After the sprayer is thoroughly cleaned, put 2-5 gallons (7-19 litres) of rust inhibitor or antifreeze in the tank prior to the final flushing to help prevent corrosion. As the water is pumped from the sprayer, the antifreeze will leave a protective coating on the inside of the tank, pump, and plumbing. Remove nozzle tips, screens and no-drip valves (if used) and store them in a can of light oil such as diesel fuel or kerosene to prevent corrosion. Close nozzle openings with tape to prevent dirt, insects, mice, or other contaminants from entering.

During the final cleaning, completely check the sprayer. Look at the hoses, clamps, connections, nozzle tips, and screens for needed replacements. Store the sprayer in a reasonably clean and dry building.

Assembly

There is more than one way to successfully assemble your **Windfoil** sprayer. Following the outlined steps will help to ensure a simple, trouble free assembly. All assembly references to left and right are referring to the sprayer left and right when facing the rear of the sprayer. Two people are required to remove sprayer from carton, or for any general lifting of the equipment (ie. lifting into transport).

Step 1 - Front Wheel Installation

1. See General Assembly drawing for layout.
2. Locate four, (4) holes on the front of the sprayer, two, (2) to each side of the Windfoil logo.
3. Bolt the front wheel mount to these holes.
4. Slide front castor fork through castor bushing and insert cotter pins to secure.
5. Grease castor prior to use if required.
6. Install all three poly wheels.

Step 2 - Handle Attachment

1. Place the handle in position so that the tube is on the outside of the mounting plates.
2. Bolt handle into place.
3. Plug in pump wire harness.

Step 3 - Hose & Tank

1. Thread one end of hose (1/2"FNPT) into bottom fitting on tank (if required). Insert other end into input on pump (left side); slide lock down to clamp into place.
2. Set tank on brackets; studs in tank should line up with holes on brackets. Secure with 1/4" nylock nuts.

Step 4 - Last Check

1. Recheck all assembled parts for completeness and secure connections.
2. Locate the grease nipple on the front caster wheel and grease it.
3. Your sprayer is now ready for a wet test, to ensure complete operation.

Operation

NOTE : Stainless steel insert tips are supplied with the **Windfoil WE series**; it can also use ceramic, brass or plastic insert tips that give an actual 80° spray pattern.

NOTE : Test the unit using clear water on a firm surface such as asphalt or concrete before using spray solution. This will illustrate the effectiveness of the individual spray patterns.

1. Be sure that the toggle switch on the handle bar is off, pump should not run once clips are on battery.
2. With the unit fully assembled, attach the battery clips to the battery on the front of the unit. (NOTE: Red clip is for positive post on battery).
3. With liquid in the tank, loosen the pressure regulator fully, ie. loosen lock nut on regulator and turn top knob on pressure regulator counter clockwise. Next turn unit on by flipping the switch on the handle bar. Slowly tighten pressure regulator (turn clockwise) until pressure on gauge rises to 40 psi (3 bar). (NOTE: to obtain optimum pattern, you should always try and operate your spray nozzles as close to 40 psi (3bar) as possible). Due to losses in the system you might want to run your system at 42-43 psi, this should give you close to 40 psi at the tip. (NOTE: Be careful not to run the pump on an empty tank as this could cause a vapour lock in the system. To fix the problem, make sure there is something in the tank; remove the output supply hose on the pump and start the system, take precautions as your chemical will start coming through the pump, once the liquid starts flowing shut the system off, reconnect the line and continue spraying). Watch each of the balls in the flow indicator as you spray, they should all raise to an equal level. If they are not equal the lower ball(s) indicate tips that are plugged or partially plugged. Check and clean the appropriate tip(s). If the balls are right at the top, the flow rate is too high for them. Replace them with the required balls for the tips (see the flow monitor page).

NOTE : As this is a self contained sprayer with a small tank and does not have a separate fresh water tank, it is recommended that when filling and working with chemicals a fresh water supply is always kept in close proximity for safety reasons.

Battery

A 12 volt battery is not supplied with the sprayer. The recommended battery is a sealed, deep cycle battery with bolt on connections, but any small utility battery will work. Recommended battery dimensions are approximately 8" long x 5" wide x 6" high.

Maintenance

Cleaning and flushing with clear water after using.

Do not leave water in the unit at freezing temperatures. When storing the sprayer at freezing temperatures, run some windshield washer antifreeze through to prevent ice damage in the plastic parts.

Avoid storage of your sprayer in direct sunlight for prolonged periods. Certain plastic parts on the **Windfoil WE** are not UV resistant.

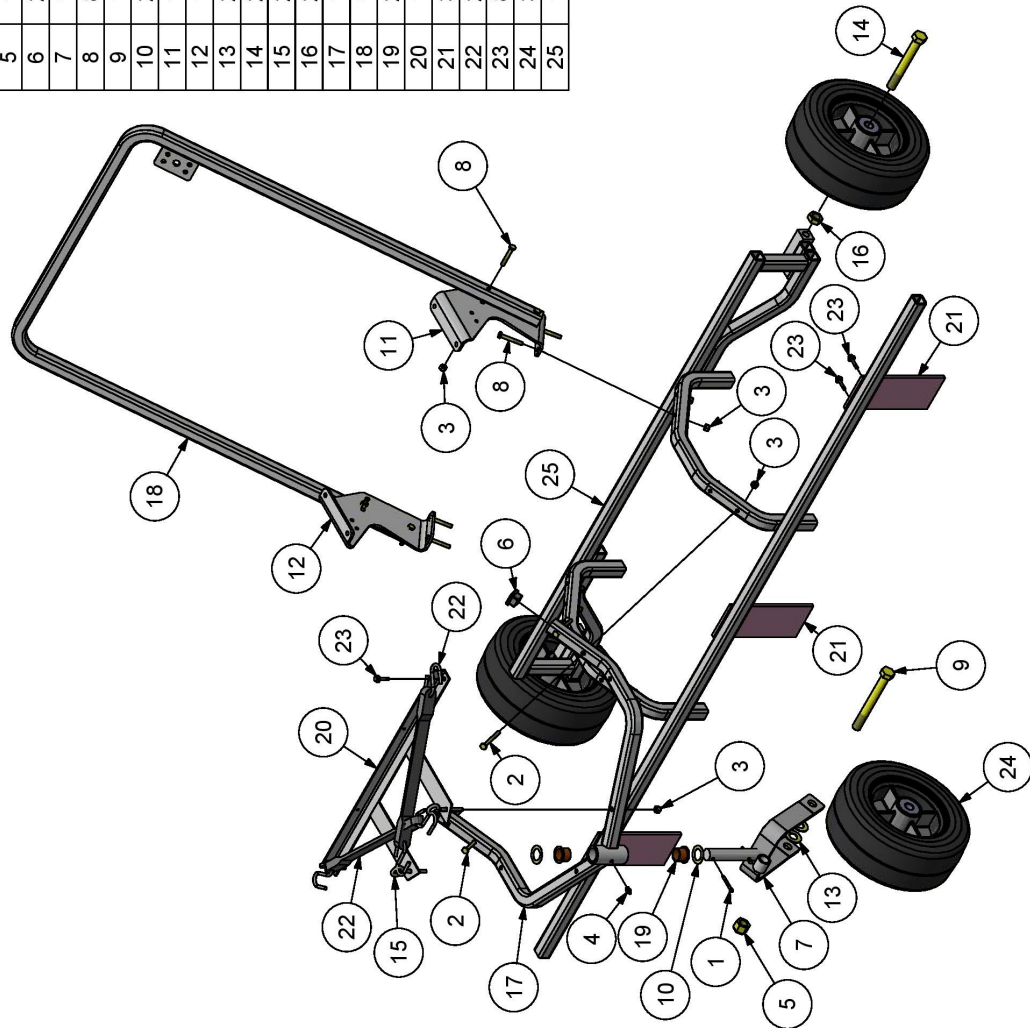
Keep the unit covered or stored indoors.

WE6 Frame Assembly Part # 15632

PARTS LIST			
ITEM	QTY	PART#	DESCRIPTION
1	2	00965	PIN COTTER STL 3/16X1-1/2
2	4	00966	BOLT 1/4NCX2.5 PLD
3	18	00968	NUT NYLOCK 1/4NC PLD
4	1	00972	FTG STL GREASE NIPPLE 1/4NF
5	1	01051	NUT NYLOCK 5/8NC PLD
6	2	01056	PLUG PLASTIC 1 SQUARE
7	1	01599	CASTOR FORK WALKER ASBY
8	8	05409	BOLT 1/4NCX1-3/4 PLD
9	1	05459	BOLT 5/8NCX5-1/2 PLD
10	2	05593	WASHER MACHINE 7/8
11	1	07134L	MOUNT TANK ELECTRIC WALKER LEFT
12	1	07134R	MOUNT TANK ELECTRIC WALKER RIGHT
13	2	07619	WASHER FLAT SAE 5/8 PLD
14	2	12387	BOLT 5/8NCX5 PLD
15	2	12684	EYEBOLT 1/4-20X3X3/8"
16	2	13709	NUT JAM 5/8NC PLD
17	1	14028	CASTOR MOUNT ASSEMBLY WALKERS
18	1	14184	HANDLE BAR ASSY DEL/ELC
19	2	14212	BUSHING IG 1.0X0.875X0.75W/FLAN
20	1	14216	BATTERY MOUNT
21	3	14261	CURTAIN SUPPORT LP FRONT
22	2	14264	STRAP TARP RUBBER 9"
23	8	14471	SCREW TEK #12X1 NEPRN WASHER
24	3	14475	WHEEL POLY LD
25	1	15624	FRAME LP 86

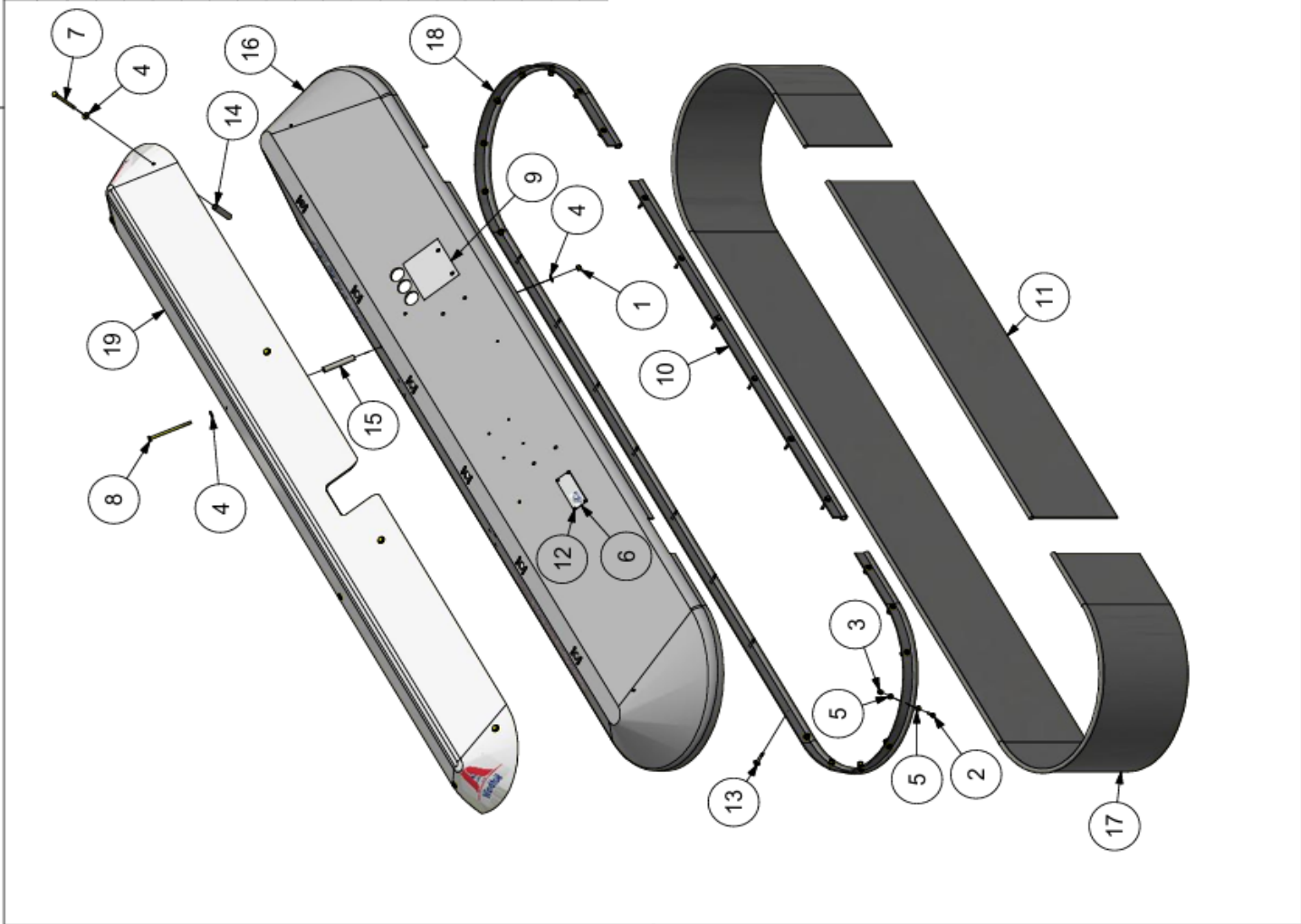
NOTE:
 BATTERY MOUNT HOLES (4)
 IN PART # 14028 ARE DRILLED
 DURING ASSEMBLY.
 BATTERY MOUNT USED AS
 TEMPLATE.

DRAWN: JESSIPAL	ROGERS SPRAYERS INC.
DATE: 10/30/2017	TITLE: WE6 FRAME ASSEMBLY
PROJECT: WALKER SERIES	DWG NO: 15632
DATE CHECKED: 5/27/2018	SCALE: 1/12
	MATERIAL: A
	SIZE: A



WE6 Shroud Assembly Part # 15608

PARTS LIST			DESCRIPTION
ITEM	QTY	PART#	
1	8	00968	NUT NYLOCK 1/4NC PLD
2	16	01152	SCREW MACH C #10-24X3/4 TRUSS
3	16	01153	NUT NYLOCK #10 PLD
4	16	01157	WASHER FLAT SAE 1/4
5	32	01183	WASHER FLAT #10
6	1	01398	SERIAL PLATE
7	4	05413	BOLT 1/4NCX3-1/2 PLD
8	4	05415	BOLT 1/4NCX4 PLD
9	1	13402	BACK PLATE 3 COL. FLOWMONITOR
10	1	14207	FLEXI-SHIELD HANGER 44"
11	1	14209	FLEXI-SHIELD 9.625WX44"
12	4	14470	RIVET POP 1/8X1/2 AL/STL
13	14	14472	SCREW TEK #12X1-1/4 NEPRN WASHER
14	4	14843	AIRFOIL STANDOFF BACK TUBE
15	4	14844	AIRFOIL STANDOFF FRONT TUBE
16	1	15529WE	SHROUD LP 86 GREY PREP WE
17	1	15545	FLEXI-SHIELD 9.625WX139"
18	1	15546	FLEXI-SHIELD HANGER 139"
19	1	15567	AIRFOIL 86" PREPPED WE



DRAWN: DARSHAN SEJPAL	ROGERS SPRAYERS INC.		
DATE CREATED: 10/30/2017	TITLE: WE6 SHROUD ASSEMBLY	PROJECT: WE6 SHROUD ASSEMBLY	SCALE: 1/1.5
DESIGNED BY: [blank]	DWG NO: 15608	MANAGER SERIES: [blank]	MATERIAL: [blank]
DATE CHECKED: 8/16/2021	SIZE: A		

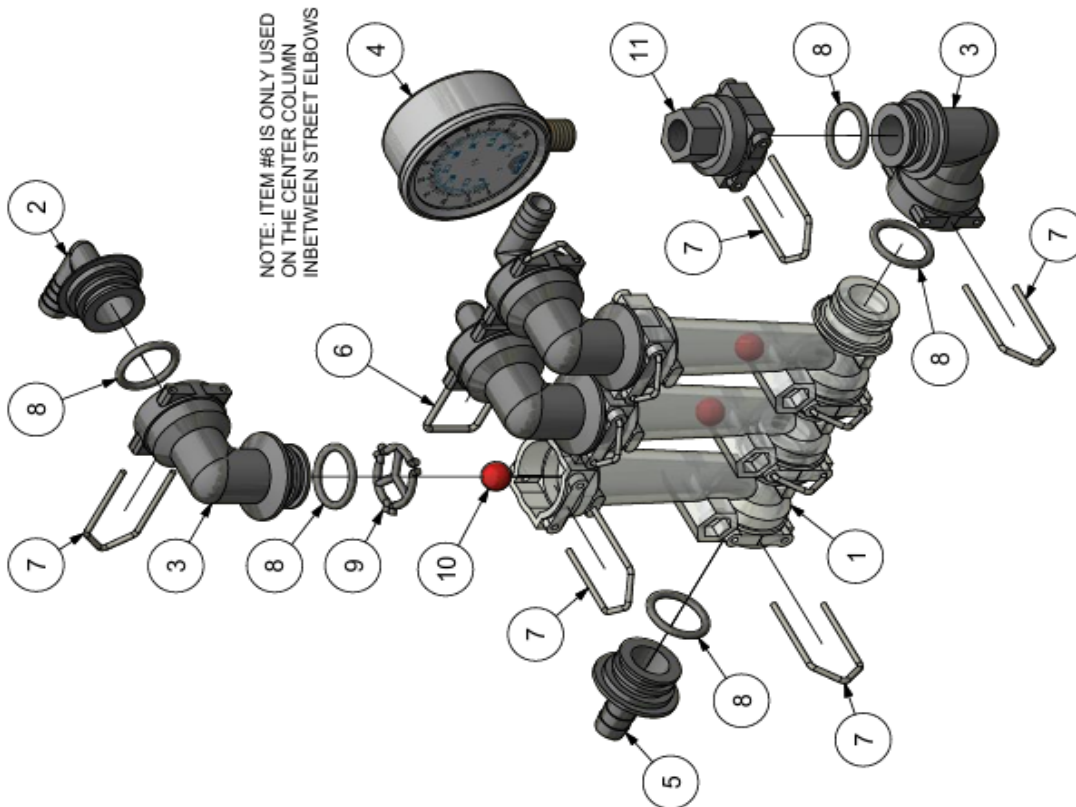
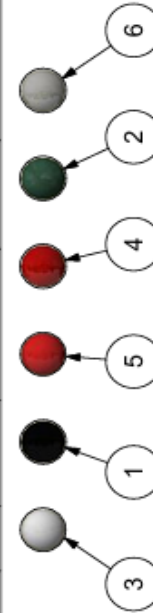
Flow Monitor Assembly (Part# 14826)

PARTS LIST

ITEM	QTY	PART#	DESCRIPTION
1	3	00889	FLOWMONITOR BODY ORC
2	3	00906	FTG WIL POLY ELB ST MORCXFORC
3	4	01115	FTG WIL POLY ELB ST MORCXFORC
4	1	01281	GAUGE PRESSURE 100PSI WET
5	1	11975	FTG WIL POLY ADPT MORCX1/2HB
6	1	11976	ORC CLIP FLAT
7	10	11976a	ORC CLIP A STYLE
8	11	11984	O-RING ORC FLOWMONITOR
9	3	11989	BALL RETAINER ORC FLOWMONITOR
10	3	11990	BALL FI. CELCON RED (0.09-0.30)
11	1	14423	FTG WIL POLY CAP W-1/4FNPT

PARTS LIST

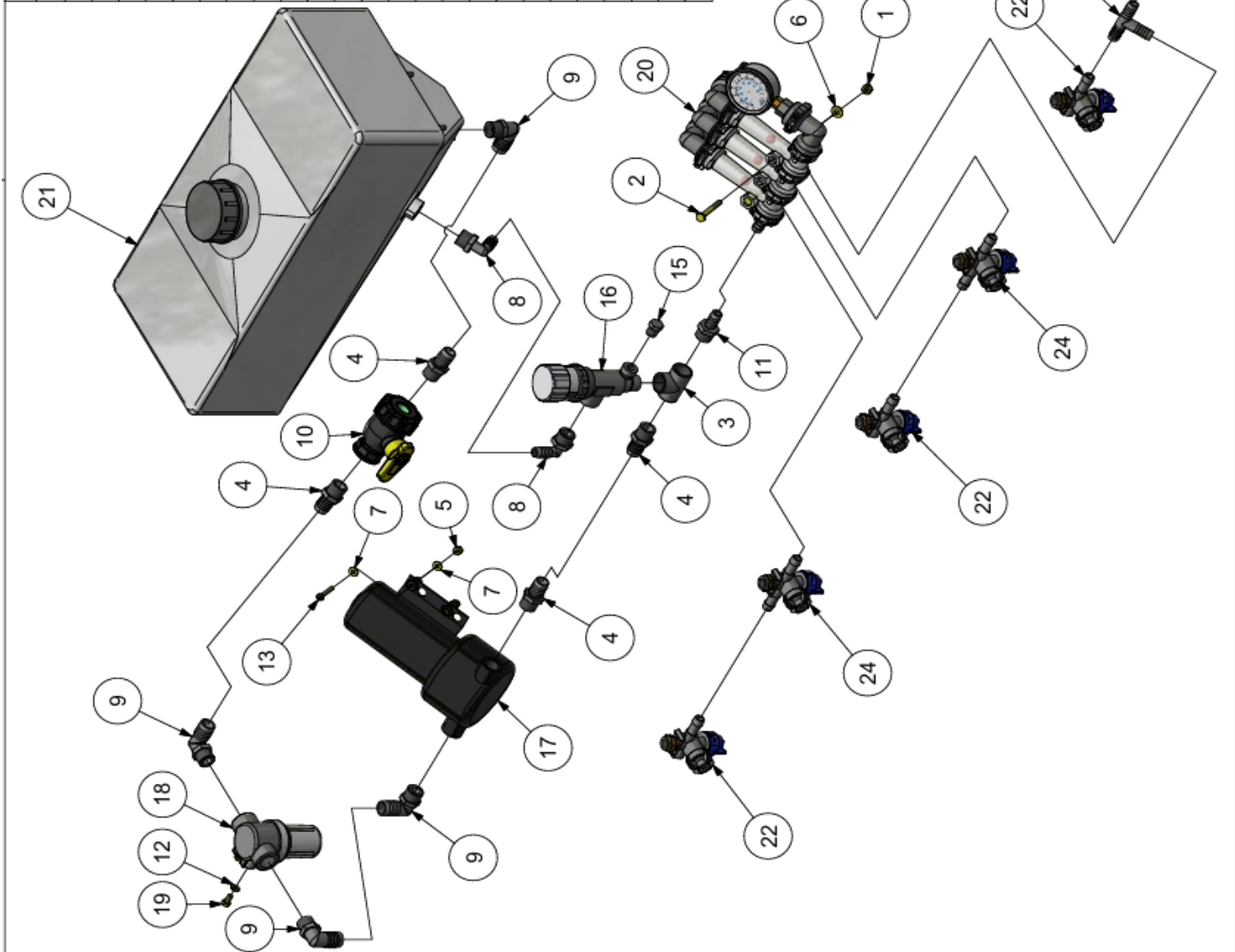
ITEM	QTY	PART#	DESCRIPTION
1	1	01118	BALL FI. POLYP BLACK (0.09-0.3)
2	1	01119	BALL FI. POLYP GREEN (0.05-0.18)
3	1	11964	BALL FI. POLYP WHITE (0.05-0.20)
4	1	11965	BALL FI. GLASS RED/BLUE (0.09-0.72)
5	1	11990	BALL FI. CELCON RED (0.09-0.30)
6	1	11991	BALL FI. SS (0.31-1.33)



DRAWN: J. PROSSER		ROGERS SPRAYERS INC.	
DATE CREATED: 10/19/2017		TITLE: FLOW KIT ASSBY 3COL ELEC (2010)	
PROJECT: WALKER SERIES		DWG NO: 14826	
DATE CHECKED: 7/16/2021		SCALE: 1/1	
		MATERIAL: A	
		SIZE: A	

WE6 Plumbing Assembly Part # 14867

PARTS LIST			
ITEM	QTY	PART#	DESCRIPTION
1	2	00968	NUT NYLOCK 1/4NC PLD
2	2	01070	BOLT 1/4NCX2 PLD
3	1	01084	FTG POLY TEE 1/2NPT F/F/F
4	4	01086	FTG POLY ADPT 1/2MNPTX3/4HB
5	4	01153	NUT NYLOCK #10 PLD
6	2	01157	WASHER FLAT SAE 1/4
7	8	01183	WASHER FLAT #10
8	2	01235	FTG POLY ELB 1/2MNPTX1/2HB
9	4	01238	FTG POLY ELB 1/2MNPTX3/4HB
10	1	01249	VALVE BALL POLY 1/2FNPT
11	1	05527	FTG POLY ADPT 1/2MNPTX1/2HB
12	2	05567	WASHER LOCK 1/4 PLD
13	4	05594	SCREW MACH C #10-24X1.25
14	1	05816	FTG POLY TEE 1/2HB/HB/HB
15	1	06429	FTG POLY PLUG 1/4MNPT
16	1	12818	REGULATOR PRESSURE NYLON 1/2 SS
17	1	14181	PUMP 12V DEL 5850 SERIES
18	1	14506	STRAINER LINE 1/2 COMPACT W/MT
19	2	14509	BOLT M6-1.00 X 12MM HEX
20	1	14826	FLOW KIT ASSBY 3COL ELEC (2010)
21	1	14829	TANK RECT 5.0 USG WE/FE PREPPED
22	3	15811	NOZZLE ASBY, S TJR 01
23	1	15812	NOZZLE ASBY, S TJJ 01
24	2	15813	NOZZLE ASBY, S TJT 01

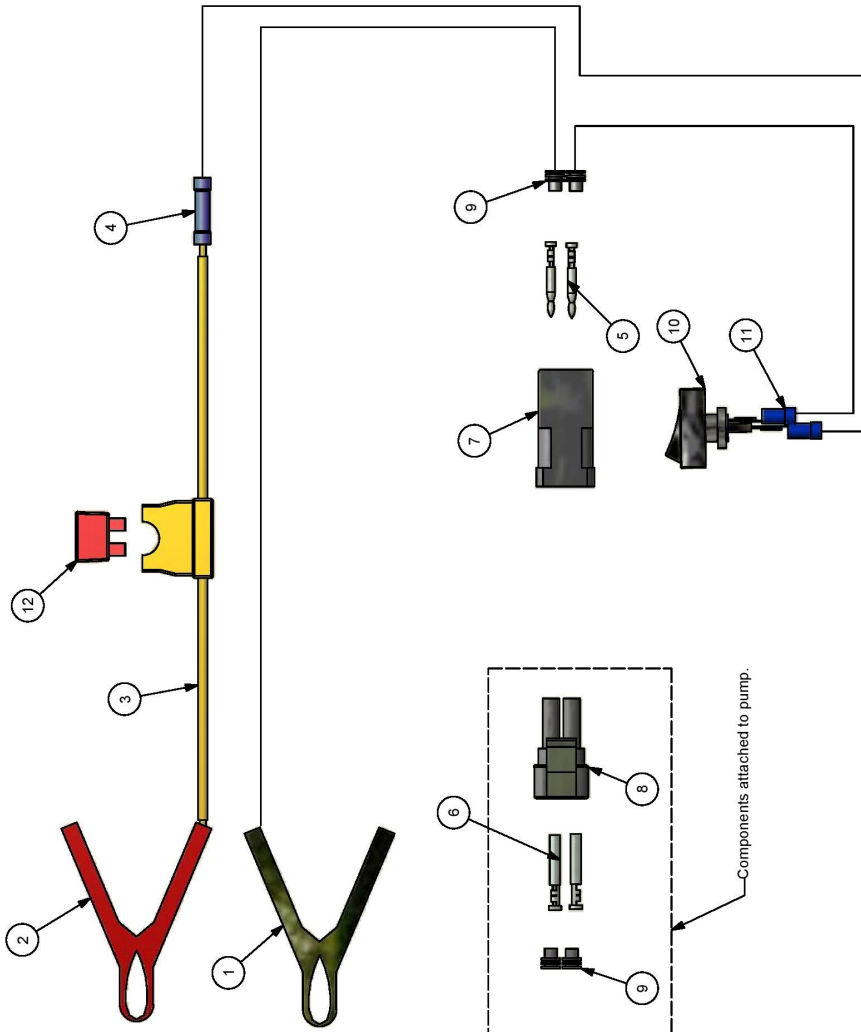


TANK LID PART #01325

DRAWN: JAVARAMAN	ROGERS SPRAYERS INC.
DATE CREATED: 10/30/2017	TITLE: PLUMBING ASSBY FE6/WE6
PROJECT: WASHER SERIES	DWG NO: 14867
DATE CHECKED: 8/16/2021	SCALE: 1/8"
	MATERIAL: A
	SIZE: A

WE Electrical Assembly Part # 12737

Parts List			
ITEM	QTY	PART#	DESCRIPTION
1	1	13256	CLIP ALLIGATOR BATTERY BLK
2	1	13257	CLIP ALLIGATOR BATTERY RED
3	1	01268	FUSE HOLDER INLINE BLADE 12Ga
4	1	09323	CONN BUTT 14-16 Ga
5	2	01215	TERMINAL 14-16 GAGE M
6	2	01219	TERMINAL 14-16 GAGE F
7	1	01274	CONNECTOR WEATHER-PAK 2M
8	1	01276	CONNECTOR WEATHER-PAK 2F
9	4	01216	SEAL SILICONE GREY, 14-16 Ga
10	1	14245	SWITCH TOGGLE MARINE ROCKER
11	2	05228	CONNECTOR SPADE 14-16 Ga M
12	1	05106	FUSE BLADE 10 AMP 12V



DRAWN: MERV BILINSKI		ROGERS SPRAYERS INC.	
DATE: 04/07/2005	LOCATION: BOSTON	TITLE: ELECTRIC WALKER ASSEMBLY	
REVISION #	12737	DWG NO	12737
SCALE	MATERIAL	SIZE	A

Optional Parts for WE/FE Series Sprayer

10 US Gallon Tank Upgrade

Part # 14302

This tank is a direct drop-in for the standard 5 US gallon tank that comes standard on all WE/FE series sprayers. It provides twice the spraying time while still retaining the sprayers agility. This part can be ordered to be installed from factory or is easily installed later.



Tow Hitch Upgrade

Part # F111

This attachment allows you to tow your sprayer behind a small utility vehicle outfitted with a pin hitch. The hitch attaches to a mounting bracket located on the front castor wheel of the sprayer. Tow bar installs and removes in seconds.

*Note: It is not recommended to tow the unit with full tank and battery installed.



Speedometer Kit

Part # 13368

The Speedometer Kit provides a reading in mph or kph of your forward speed. This aids in the accuracy of applying specific application rates. This option can be ordered installed from factory or later on as a kit.



Sprayer Wand Kit

Part # 13357

The Wand Kit is a very handy device that allows the operator to spot spray directly from their WE/FE series sprayer. Includes spray wand, 25' coil hose, ball valve, handle bar hook, and necessary fittings to tap into existing plumbing. This option can be ordered installed from factory or as a kit.

Optional Flow Monitor Balls

See *Flow Monitor Assembly Drawing* for Part Numbers

Various colors and weights of balls are available to assist accurate viewing of the flow indicators. Ie. Heavier balls are used for larger application rates.

Rogers Sprayers Inc. (RSI)
141 - 105th Street East
Saskatoon, SK S7N 1Z2 Canada



Tel.: (306) 975-0500 or (888) 975-8294
Fax: (306) 975-0499
Email: info@rogerssprayers.com

ROGERS SPRAYERS INC OWNER WARRANTY AGREEMENT

Windfoil Drift Containment Spray Systems (DCSS) are warranted to be free of factory defects under normal and intended use for a period of one (1) year from date of purchase to the original purchaser. Equipment must be setup in accordance with factory instructions and operated, maintained and used in accordance with the operator's manual. Equipment used for rental has a warranty period of forty five (45) days. Any customization or modifications to the original equipment voids warranty immediately.

RSI reserves the right not to warranty any items that are not directly manufactured by RSI. Such components need to be returned to the factory for inspection and tested by either RSI or the original manufacturer for defects. Examples of these parts include actuators, engines, pumps and electrical systems.

All warranty Claims must be pre-authorized by the factory!

To obtain warranty, all defective parts must be returned to the factory; in some cases, location of part might require only photo of defective part. RSI must be contacted to determine which route is required. RSI through its designated dealer or factory appointed representative will repair or replace, at its option, any or all parts that are proven to be defective free of charge.

RSI DOES NOT pay or reimburse for any travel time or investigation time to determine the defective part. Warranty labor will be based on the time required for RSI to replace only the part. Warranty labor rates and replacement times will be assessed yearly and will be included in a labor replacement sheet.

This warranty does not apply to damage caused by misuse, accident, acts of god, and/or operation without proper servicing. RSI will not be responsible for consequential damages; its liability is limited to replacement of parts.

Standard wear components (see list) such as belts, nozzles, screens, bearings, wheels, flow indicator bodies or flow indicator parts are only warranted for 30 days after original purchase.

RSI makes no other expressed, implied or statutory warranty; nor is anyone authorized to make any on our behalf.

Complete your Warranty Registration online at www.rogerssprayers.com

The warranty registration is found on the Contact page of our website. The warranty registration **MUST** be filled out completely and submitted to RSI to activate the warranty. If you would prefer, a printable copy is also available online.

It is our intention to manufacture durable, user-friendly products. Any suggestions you have as to how we may improve our equipment are greatly appreciated.

EC Declaration of Conformity

WE,

Rogers Sprayers Inc.
141 - 105th St East
Saskatoon, Saskatchewan, S7N 1Z2
Canada

declare that the following products

Machine Type: Rear mounted spray boom

Model: WGF11, FGF11, WA5000E, WA5000, FA5000E, FA5000

Machine Type: Pedestrian Boom

Model: WG3, WG4, WG6, FG3, FG4, FG5

Machine Type: Pedestrian Spray Boom

Model: WE3, WE4, WE6, FE3, FE4, FE6

is in conformity with the provisions of the following European Directive(s)

Directive	Number	Certification Method
Machinery Directive	98/37/EC	Self-Certification
Machinery Directive	2006/42/EC	Self-Certification

And the following Standard:

SS-EN 907
EN ISO 4254-1:2009
EN ISO 4254-6:2009

The original copy of this document is kept at Rogers Sprayers Inc. with copies of the relevant test data and certificates, which constitute the required technical file for self declaration.

Place of declaration: Saskatoon, Saskatchewan, Canada
Date of declaration: May 3, 2011



Name: Mervin Bilinski, P. Eng.
Title: President
Rogers Sprayers Inc.



ROGERS SPRAYERS INC.

141 - 105th Street East
Saskatoon, SK S7N 1Z2
Canada

Phone: (306) 975-0500
Fax: (306) 975-0499
Email: info@rogerssprayers.com
Web: www.rogerssprayers.com