



ROGERS SPRAYERS INC.

141 - 105th Street East
Saskatoon, SK S7N 1Z2
Canada

Phone: (306) 975-0500
Fax: (306) 975-0499
Email: info@rogerssprayers.com
Web: www.rogerssprayers.com

WG3 Windfoil GreensAp 3-ft Covered Hose-fed Sprayer



Assembly, Parts and Operator's Manual

Version WG3-2504

Table of Contents

SAFETY	3
Operational Safety	3
GENERAL SPRAYING INFORMATION	3
Application Tips	3
Nozzles	4
Diaphragm Check Valve Nozzle Bodies.....	4
Calibration	4
Application Rate Table, 12” spacing.....	5
GENERAL MAINTENANCE	7
Cleaning	7
Sunshine	8
Winterizing.....	8
ASSEMBLY	8
Front Wheel Installation	8
Handle attachment.....	8
Hose attachment	8
Last Check	8
OPERATION	9
MAINTENANCE	9
DRAWINGS AND REPLACEMENT PARTS	9
WG3 Shroud Assembly	10
WG3 Frame Assembly	11
Alternate Valve Assembly	12
Plumbing Assembly.....	13
Flowmonitor Assembly.....	14
Valve Assembly.....	15
Optional Accessories	16
Warranty Agreement.....	17
CE Declaration of Conformity.....	18

Safety

Many people die or suffer serious injury in job related accidents every year due to carelessness. Know your machinery and be aware of potential hazards. Put safety first in all your operations.

Review all instructions and procedures outlined in this manual annually. Every operator must familiarize himself with the operating instructions of the sprayer.

Operational Safety

Shut down sprayer and power unit and wait for all parts to stop before adjusting, cleaning, or lubricating the power unit or sprayer.

Before spraying a field familiarize yourself with any rocks, debris, trees, ditches or gullies that may be potentially dangerous. Plan the spraying route to avoid these hazards.

Spray only chemicals that unit was designed for, (ie turf application). Do not use products for which unit was not designed, (ie PAINT, sealants, cleaning fluids, dust inhibitors, ice surfaces).

Minimize Chemical Drift

The **Windfoil** sprayer was designed in a wind tunnel to control air flow around and behind the sprayer minimizing drift to allow safer spraying in windy conditions.

Drift can blow off a field after it has been sprayed, especially in high winds. Reasonable caution should be taken in order to spray effectively and safely.

For maximum drift control, keep curtain in contact with the ground to ensure a seal to it. Drift control of the *Windfoil* is less effective when the wind blows the curtain off the crop canopy breaking the seal between the curtain and the crop.

General Spraying Information

Application Tips

Always use clean filtered water in the sprayer tank.

Your **Windfoil** Drift Containment Spray System (DCSS) comes standard with ceramic insert tips. These tips are considered by most to be the best in the industry for wear resistance and spray pattern coefficient of variation. Please contact your manufacturer for various sizes of tips available for your machine.

Ensure that the pressure on the supply end of the hose used on hose reels is sufficient to deliver the proper pressure at the hand unit on the delivery end of the hose.

Check the flow rate from all nozzles using the capacity calibration technique; see the Calibration section for tables and instructions. Use clean filtered water for all calibration testing. Adjust the sprayer pressure to get the proper flow rate. The flow meters are not accurate enough in absolute terms to be used as a flow meter. In relative terms they are very accurate.

Caution:	Conventional tips are rated at 40 psi (3 bar), for example a 8004 tip at 40 psi (3 bar) delivers 0.4 US gal/min (1.5 litres/min) . Only conventional 80° tips are recommended for the Windfoil WG series. Wider angle tips (110°) have a wider pattern than 80° and will hit the curtain at the ends of the boom and are
-----------------	---

Nozzles

Despite being the most important component for accurate uniform spraying application, nozzles are often neglected and abused.

Nozzle flow rate depends on effective orifice size and pressure. Spray tip manufacturers have supplied tables of nozzle application rates at various pressures, for the best results it is recommended that you follow these guidelines.

The rule of thumb is that as you increase the pressure to your unit the average droplet size decreases. Normally with conventional open boom sprayers large droplets are used to control drift but large droplets can roll off plants without sticking. With the **Windfoil** covered spray system you will be able spray with smaller droplets, increase coverage and not worry about drift.

The spray patterns must overlap for even coverage but should not interfere with one another. Nozzles are set at a 10° angle so that one edge of its pattern will be just behind the edge of its adjacent spray pattern, evading interference with each other.

Typically as a tip wears the spray pattern distorts output volumes usually increase and the droplet characteristics change. Recalibration may correct for output changes, but cannot correct for spray pattern changes or the drop size generated.

<p>Caution: When spraying next to a flower bed, do not spray over the turf edge as the spray will go under the curtain and onto the flowers.</p>

Diaphragm Check Valve Nozzle Bodies

Diaphragm check valves close at approximately 15 psi (1 bar) to prevent excessive dripping. Should the cap on the valve loosen or the check valve diaphragm become misaligned, the body may leak. Stop the leak by, tightening the check valve cap or remove the cap and inspect the seal for damage or improper assembly.

To check for defective check valves when the spraying stop control has been actuated, the volume that drips from each nozzle should not exceed 2ml timed over a 5 minute period. The measuring is to start 8 seconds after the flow to the spray boom is shut off.

Nozzle caps are attached by engaging the cap and turning clockwise about a third of a turn. Self-aligning caps have a slot to align the tips. Ensure that the tips fit down into the slotted hole before installing caps on the diaphragm nozzle body assembly with the tip screens.

Non-aligning caps are also available for special tips.

Calibration

As a tip wears recalibration may be required. Collect the output from each nozzle for 60 seconds, using an accurate measuring cup. Use clear water for all testing. Record the output from each nozzle. Replace nozzles that are more than 5% above or below the average reading, or has a visibly distorted pattern.

Application Rates, 12" Spacing
80 Deg. Tips

Rogers Part #	Tip Number	Liquid Press psi	Capacity 1 nozzle gpm	U. S. GALLONS PER ACRE					U. S. GALLONS PER 1000 SQ. FT.					Press bars
				2.5	3	4	5	7	2.5	3	4	5	7	
				mph	mph	mph	mph	mph	mph	mph	mph	mph	mph	
05872	800067SS (200 mesh)	30	0.058	11.5	9.6	7.2	5.7	4.1	0.26	0.22	0.16	0.13	0.09	2.07
		40	0.067	13.3	11.1	8.3	6.6	4.7	0.30	0.25	0.19	0.15	0.11	2.76
		50	0.075	14.8	12.4	9.3	7.4	5.3	0.34	0.28	0.21	0.17	0.12	3.45
		60	0.082	16.2	13.5	10.2	8.1	5.8	0.37	0.31	0.23	0.19	0.13	4.14
01369	8001VS (100 mesh)	30	0.087	17.1	14.3	10.7	8.6	6.1	0.39	0.33	0.25	0.20	0.14	2.07
		40	0.100	19.8	16.5	12.4	9.9	7.1	0.45	0.38	0.28	0.23	0.16	2.76
		50	0.112	22.1	18.4	13.8	11.1	7.9	0.51	0.42	0.32	0.25	0.18	3.45
		60	0.122	24.2	20.2	15.2	12.1	8.7	0.56	0.46	0.35	0.28	0.20	4.14
00827 15287	80015VS or AXI-80015 (100 mesh)	30	0.130	25.7	21.4	16.1	12.9	9.2	0.59	0.49	0.37	0.29	0.21	2.07
		40	0.150	29.7	24.8	18.6	14.9	10.6	0.68	0.57	0.43	0.34	0.24	2.76
		50	0.168	33.2	27.7	20.8	16.6	11.9	0.76	0.63	0.48	0.38	0.27	3.45
		60	0.184	36.4	30.3	22.7	18.2	13.0	0.83	0.69	0.52	0.42	0.30	4.14
05876 14384	8002VS or AXI-8002 (50 mesh)	30	0.173	34.3	28.6	21.4	17.1	12.2	0.79	0.65	0.49	0.39	0.28	2.07
		40	0.200	39.6	33.0	24.8	19.8	14.1	0.91	0.76	0.57	0.45	0.32	2.76
		50	0.224	44.3	36.9	27.7	22.1	15.8	1.01	0.84	0.63	0.51	0.36	3.45
		60	0.245	48.5	40.4	30.3	24.2	17.3	1.11	0.93	0.69	0.56	0.40	4.14
05877 14385	8003VS or AXI-8003 (50 mesh)	30	0.260	51.4	42.9	32.2	25.7	18.4	1.18	0.98	0.74	0.59	0.42	2.07
		40	0.300	59.4	49.5	37.1	29.7	21.2	1.36	1.13	0.85	0.68	0.49	2.76
		50	0.335	66.4	55.3	41.5	33.2	23.7	1.52	1.27	0.95	0.76	0.54	3.45
		60	0.367	72.7	60.6	45.5	36.4	26.0	1.67	1.39	1.04	0.83	0.59	4.14
05878 14061	8004VS or AXI-8004 (50 mesh)	30	0.346	68.6	57.2	42.9	34.3	24.5	1.57	1.31	0.98	0.79	0.56	2.07
		40	0.400	79.2	66.0	49.5	39.6	28.3	1.81	1.51	1.13	0.91	0.65	2.76
		50	0.447	88.5	73.8	55.3	44.3	31.6	2.03	1.69	1.27	1.01	0.72	3.45
		60	0.490	97.0	80.8	60.6	48.5	34.6	2.22	1.85	1.39	1.11	0.79	4.14
05879 14386	8005VS or AXI-8005 (50 mesh)	30	0.433	85.7	71.4	53.6	42.9	30.6	1.96	1.64	1.23	0.98	0.70	2.07
		40	0.500	99.0	82.5	61.9	49.5	35.4	2.27	1.89	1.42	1.13	0.81	2.76
		50	0.559	110.7	92.2	69.2	55.3	39.5	2.53	2.11	1.58	1.27	0.91	3.45
		60	0.612	121.2	101.0	75.8	60.6	43.3	2.78	2.31	1.74	1.39	0.99	4.14
05880 14387	8006VS or AXI-8006 (50 mesh)	30	0.520	102.9	85.7	64.3	51.4	36.7	2.36	1.96	1.47	1.18	0.84	2.07
		40	0.600	118.8	99.0	74.3	59.4	42.4	2.72	2.27	1.70	1.36	0.97	2.76
		50	0.671	132.8	110.7	83.0	66.4	47.4	3.04	2.53	1.90	1.52	1.09	3.45
		60	0.735	145.5	121.2	90.9	72.7	52.0	3.33	2.78	2.08	1.67	1.19	4.14
05881	8008VS (50 mesh)	30	0.693	137.2	114.3	85.7	68.6	49.0	3.14	2.62	1.96	1.57	1.12	2.07
		40	0.800	158.4	132.0	99.0	79.2	56.6	3.63	3.02	2.27	1.81	1.30	2.76
		50	0.894	177.1	147.6	110.7	88.5	63.2	4.05	3.38	2.53	2.03	1.45	3.45
		60	0.980	194.0	161.7	121.2	97.0	69.3	4.44	3.70	2.78	2.22	1.59	4.14
13674	MR8010 (50 mesh)	30	0.866	171.5	142.9	107.2	85.7	61.2	3.93	3.27	2.45	1.96	1.40	2.07
		40	1.000	198.0	165.0	123.8	99.0	70.7	4.53	3.78	2.83	2.27	1.62	2.76
		50	1.118	221.4	184.5	138.4	110.7	79.1	5.07	4.22	3.17	2.53	1.81	3.45
		60	1.225	242.5	202.1	151.6	121.2	86.6	5.55	4.63	3.47	2.78	1.98	4.14
14010	MR8015 (50 mesh)	30	1.299	257.2	214.3	160.8	128.6	91.9	5.89	4.91	3.68	2.94	2.10	2.07
		40	1.500	297.0	247.5	185.6	148.5	106.1	6.80	5.67	4.25	3.40	2.43	2.76
		50	1.677	332.1	276.7	207.5	166.0	118.6	7.60	6.34	4.75	3.80	2.72	3.45
		60	1.837	363.7	303.1	227.3	181.9	129.9	8.33	6.94	5.21	4.16	2.97	4.14
14195	MR8020 (50 mesh)	30	1.732	342.9	285.8	214.3	171.5	122.5	7.85	6.54	4.91	3.93	2.80	2.07
		40	2.000	396.0	330.0	247.5	198.0	141.4	9.07	7.56	5.67	4.53	3.24	2.76
		50	2.236	442.7	369.0	276.7	221.4	158.1	10.14	8.45	6.34	5.07	3.62	3.45
		60	2.449	485.0	404.2	303.1	242.5	173.2	11.10	9.25	6.94	5.55	3.97	4.14

Application Rates, 12" Spacing

80 Deg. Tips

Rogers Part #	Tip Number	Liquid Press psi	Capacity 1 nozzle gpm	U. S. GALLONS PER ACRE					Liters/Hectare (L/Ha)					Press bars
				2.5	3	4	5	7	4	4.8	6.4	8	11.2	
				mph	mph	mph	mph	mph	kph	kph	kph	kph	kph	
05872	800067SS (200 mesh)	30	0.058	11.5	9.6	7.2	5.7	4.1	107.42	89.52	67.14	53.71	38.36	0.28
		40	0.067	13.3	11.1	8.3	6.6	4.7	124.04	103.36	77.52	62.02	44.30	0.33
		50	0.075	14.8	12.4	9.3	7.4	5.3	138.68	115.56	86.67	69.34	49.53	0.37
		60	0.082	16.2	13.5	10.2	8.1	5.8	151.91	126.59	94.95	75.96	54.25	0.40
01369	8001VS (100 mesh)	30	0.087	17.1	14.3	10.7	8.6	6.1	160.33	133.61	100.20	80.16	57.26	0.42
		40	0.100	19.8	16.5	12.4	9.9	7.1	185.13	154.28	115.71	92.57	66.12	0.49
		50	0.112	22.1	18.4	13.8	11.1	7.9	206.98	172.48	129.36	103.49	73.92	0.55
		60	0.122	24.2	20.2	15.2	12.1	8.7	226.74	188.95	141.71	113.37	80.98	0.60
00827	80015VS or	30	0.130	25.7	21.4	16.1	12.9	9.2	240.49	200.41	150.31	120.25	85.89	0.63
		40	0.150	29.7	24.8	18.6	14.9	10.6	277.70	231.41	173.56	138.85	99.18	0.73
15287	AXI-80015 (100 mesh)	50	0.168	33.2	27.7	20.8	16.6	11.9	310.47	258.73	194.05	155.24	110.88	0.82
		60	0.184	36.4	30.3	22.7	18.2	13.0	340.11	283.42	212.57	170.05	121.47	0.90
05876	8002VS or	30	0.173	34.3	28.6	21.4	17.1	12.2	320.65	267.21	200.41	160.33	114.52	0.85
		40	0.200	39.6	33.0	24.8	19.8	14.1	370.26	308.55	231.41	185.13	132.24	0.98
14384	AXI-8002 (50 mesh)	50	0.224	44.3	36.9	27.7	22.1	15.8	413.96	344.97	258.73	206.98	147.84	1.09
		60	0.245	48.5	40.4	30.3	24.2	17.3	453.47	377.90	283.42	226.74	161.96	1.20
05877	8003VS or	30	0.260	51.4	42.9	32.2	25.7	18.4	480.98	400.82	300.61	240.49	171.78	1.27
		40	0.300	59.4	49.5	37.1	29.7	21.2	555.39	462.83	347.12	277.70	198.35	1.46
14385	AXI-8003 (50 mesh)	50	0.335	66.4	55.3	41.5	33.2	23.7	620.94	517.45	388.09	310.47	221.77	1.64
		60	0.367	72.7	60.6	45.5	36.4	26.0	680.21	566.84	425.13	340.11	242.93	1.79
05878	8004VS or	30	0.346	68.6	57.2	42.9	34.3	24.5	641.31	534.42	400.82	320.65	229.04	1.69
		40	0.400	79.2	66.0	49.5	39.6	28.3	740.52	617.10	462.83	370.26	264.47	1.95
14061	AXI-8004 (50 mesh)	50	0.447	88.5	73.8	55.3	44.3	31.6	827.93	689.94	517.45	413.96	295.69	2.18
		60	0.490	97.0	80.8	60.6	48.5	34.6	906.95	755.79	566.84	453.47	323.91	2.39
05879	8005VS or	30	0.433	85.7	71.4	53.6	42.9	30.6	801.64	668.03	501.02	400.82	286.30	2.11
		40	0.500	99.0	82.5	61.9	49.5	35.4	925.65	771.38	578.53	462.83	330.59	2.44
14386	AXI-8005 (50 mesh)	50	0.559	110.7	92.2	69.2	55.3	39.5	1034.91	862.42	646.82	517.45	369.61	2.73
		60	0.612	121.2	101.0	75.8	60.6	43.3	1133.69	944.74	708.55	566.84	404.89	2.99
05880	8006VS or	30	0.520	102.9	85.7	64.3	51.4	36.7	961.96	801.64	601.23	480.98	343.56	2.54
		40	0.600	118.8	99.0	74.3	59.4	42.4	1110.78	925.65	694.24	555.39	396.71	2.93
14387	AXI-8006 (50 mesh)	50	0.671	132.8	110.7	83.0	66.4	47.4	1241.89	1034.91	776.18	620.94	443.53	3.27
		60	0.735	145.5	121.2	90.9	72.7	52.0	1360.42	1133.69	850.26	680.21	485.87	3.59
05881	8008VS (50 mesh)	30	0.693	137.2	114.3	85.7	68.6	49.0	1282.62	1068.85	801.64	641.31	458.08	3.38
		40	0.800	158.4	132.0	99.0	79.2	56.6	1481.04	1234.20	925.65	740.52	528.94	3.90
		50	0.894	177.1	147.6	110.7	88.5	63.2	1655.85	1379.88	1034.91	827.93	591.38	4.36
		60	0.980	194.0	161.7	121.2	97.0	69.3	1813.90	1511.58	1133.69	906.95	647.82	4.78
13674	MR8010 (50 mesh)	30	0.866	171.5	142.9	107.2	85.7	61.2	1603.27	1336.06	1002.05	801.64	572.60	4.23
		40	1.000	198.0	165.0	123.8	99.0	70.7	1851.30	1542.75	1157.06	925.65	661.18	4.88
		50	1.118	221.4	184.5	138.4	110.7	79.1	2069.82	1724.85	1293.64	1034.91	739.22	5.46
		60	1.225	242.5	202.1	151.6	121.2	86.6	2267.37	1889.48	1417.11	1133.69	809.78	5.98
14010	MR8015 (50 mesh)	30	1.299	257.2	214.3	160.8	128.6	91.9	2404.91	2004.09	1503.07	1202.45	858.90	6.34
		40	1.500	297.0	247.5	185.6	148.5	106.1	2776.95	2314.13	1735.59	1388.48	991.77	7.32
		50	1.677	332.1	276.7	207.5	166.0	118.6	3104.72	2587.27	1940.45	1552.36	1108.83	8.18
		60	1.837	363.7	303.1	227.3	181.9	129.9	3401.06	2834.21	2125.66	1700.53	1214.66	8.96
14195	MR8020 (50 mesh)	30	1.732	342.9	285.8	214.3	171.5	122.5	3206.55	2672.12	2004.09	1603.27	1145.19	8.45
		40	2.000	396.0	330.0	247.5	198.0	141.4	3702.60	3085.50	2314.13	1851.30	1322.36	9.76
		50	2.236	442.7	369.0	276.7	221.4	158.1	4139.63	3449.69	2587.27	2069.82	1478.44	10.91
		60	2.449	485.0	404.2	303.1	242.5	173.2	4534.74	3778.95	2834.21	2267.37	1619.55	11.95

Run a speed test in the area to be sprayed. The sprayer must be up to speed before starting the test run. To determine the speed mark off a distance as found on one of the tables. Push the sprayer over this distance carefully noting and recording the time to cover the distance. The speed traveled can be found for the specific distance and time to travel using the tables below.

After the nozzles have been individually checked and matched, the sprayer should be calibrated to determine the correct speed for the desired application volume.

Table 3: Time in Seconds to Travel Distance of:

	10	25	50	100	200
mph	(ft)	(ft)	(ft)	(ft)	(ft)
1	6.8	17.0	34.1	68.2	136.0
1.5	4.5	11.4	22.7	45.5	90.9
2	3.4	8.5	17.0	34.1	68.2
2.5	2.7	6.8	13.6	27.3	54.5
3	2.3	5.7	11.4	22.7	45.5
4	1.7	4.3	8.5	17.0	34.1
5	1.4	3.4	6.8	13.6	27.3
6	1.1	2.8	5.7	11.4	22.7

Table 4: Time in Seconds to Travel a Distance of:

	10	25	50	100	200
Km/h	(m)	(m)	(m)	(m)	(m)
1	36.0	90.0	180.0	360.0	720.0
1.5	24.0	60.0	120.0	240.0	480.0
2	18.0	45.0	90.0	180.0	360.0
2.5	14.4	36.0	72.0	144.0	288.0
3	12.0	30.0	60.0	120.0	240.0
4	9.0	22.5	45.0	90.0	180.0
5	7.2	18.0	36.0	72.0	144.0
6	6.0	15.0	30.0	60.0	120.0

Note: Tip pressure is usually less than the pressure at the pump. Losses occur in valves, hoses, etc. Always check the flow by the above calibration method.

General Maintenance

Cleaning

Sprayers need to be cleaned to prevent corrosion and cross contamination of chemicals. Trace amounts of one chemical can react with another or carry over to the next spraying and cause crop damage, especially with pesticides. Long exposures with even small amounts of some chemicals can damage sprayer components either by corrosion or gum deposits. If you spray crops that are very susceptible to injury from the last chemical used (ie vegetables, turf, and ornamentals) clean the unit especially well.

Always try to end the day with an empty tank; avoid contamination of water supplies and injury to plants or animals. Do not make puddles that might be accessible to children, pets, farm animals, or wildlife. Flush with clean water preferably after each day's operation. If you plan to use the same material over several days most chemicals may be kept in the tank overnight, labels on the chemical usually indicates which may not. Rinse the outside of the sprayer. Surfactants combined with chemicals, when they are compatible, will provide some cleaning action in the sprayer.

Some chemical combinations (especially if oil is used) may produce a putty type paste (buttering out) in the sprayer tank and components; flushing with water after each load may prevent an accumulation. If water alone does not dissolve and remove the buildup, add solvent, kerosene, or other low flammable solvent; allow paste to dissolve, then agitate and flush. Next, flush with detergent and finally with clean water. Check with your chemical agent.

Whenever pesticides are changed, or before sprayer storage, clean sprayers thoroughly with a cleaning solution. The solution used depends on the chemical to be removed from the sprayer. Check the chemical label for cleaning instructions.

First flush with water, then add the cleaning solution to the tank and thoroughly agitate before flushing. Always flush with clean water to remove the cleaning solution. Remove nozzle tips and screens; clean them in a strong detergent solution or kerosene, using a soft brush such as an old toothbrush. Never use a metal probe to clean the orifice of a spray tip!

Follow the same safety precautions during cleaning as for applications. Use a respirator, rubber gloves, or other protective gear as may be directed by label instructions.

If a nozzle becomes blocked, turn the sprayer off. Note that the spray lines could still be pressurized therefore prior to removing the cap on the nozzle body, proper safety equipment should be worn, (ie gloves, eye protection, etc).

Sunshine

Many plastic sprayer parts are degraded by ultra violet light, especially the nozzle flow indicators. Store the sprayer in the shade to extend the length of service.

Winterizing

After the sprayer is thoroughly cleaned, put 2-5 gallons (7-19 litres) of rust inhibitor or antifreeze in the tank prior to the final flushing to help prevent corrosion. As the water is pumped from the sprayer, the antifreeze will leave a protective coating on the inside of the tank, pump, and plumbing. Remove nozzle tips, screens and no-drip valves (if used) and store them in a can of light oil such as diesel fuel or kerosene to prevent corrosion. Close nozzle openings with tape to prevent dirt, insects, mice, or other contaminants from entering.

During the final cleaning, completely check the sprayer. Look at the hoses, clamps, connections, nozzle tips, and screens for needed replacements. Store the sprayer in a reasonably clean and dry building.

Assembly

There is more than one way to successfully assemble your **Windfoil** sprayer. Following the outlined steps will help to ensure a simple, trouble free assembly. All assembly references to left and right are referring to the sprayer left and right when facing the rear of the sprayer. Two people are required to remove sprayer from carton, or for any general lifting of the equipment (ie lifting into transport mount).

Front Wheel Installation

See General Assembly drawing for layout.

Locate four, (4) holes on the front of the sprayer, two, (2) to each side of the Windfoil logo.

Bolt the front wheel mount to these holes.

Slide front castor fork through castor bushing and insert cotter pins to secure.

Grease castor prior to use if required.

Install all three poly wheels.

Handle attachment

Place the handle in position so that the tube is on the outside of the mounting plates.

Bolt handle into place.

Orient the handle so that the hose is to the right.

Hose attachment

Attach hose from flow indicator to valve on handle with gear clamps as provided

Last Check

Recheck all assembled parts for completeness and secure connections.

Locate the grease nipple on the front caster wheel and grease it.

Your sprayer is now ready for a wet test, to ensure complete operation.

Operation

Ceramic insert tips are supplied with the **Windfoil WG series**; it can also use stainless steel, brass or plastic insert tips that give an actual 80° spray pattern.

Attach a supply hose to the camlock fitting on the control valve, located on the sprayer handle. The supply pressure of the fluid should be between 40 & 60 psi (3-4 bar). A rough estimate due to losses in the system is that when you have 45psi (3.2 bar) at the handle, you probably have 40 psi (3 bar) at the tips. Each of the balls in the spray monitor should raise to an equal level as the flow increases. If they are not equal the lower ball(s) indicated tips that are plugged or partially plugged. Check and clean the appropriate tip(s). If the balls are right at the top, the flow rate is too high for them. Replace them with the required balls for the tips (see the flow monitor page).

Test the unit using clear water on a firm surface such as asphalt or concrete before using spray solution. This will illustrate the effectiveness of the individual spray patterns.

Maintenance

Cleaning and flushing with clear water after using.

Do not leave water in the unit at freezing temperatures. When storing the sprayer at freezing temperatures, run some windshield washer antifreeze through to prevent ice damage in the plastic parts.

Avoid storage of your sprayer in direct sunlight for prolonged periods. Certain plastic parts on the **Windfoil WG** are not UV resistant.

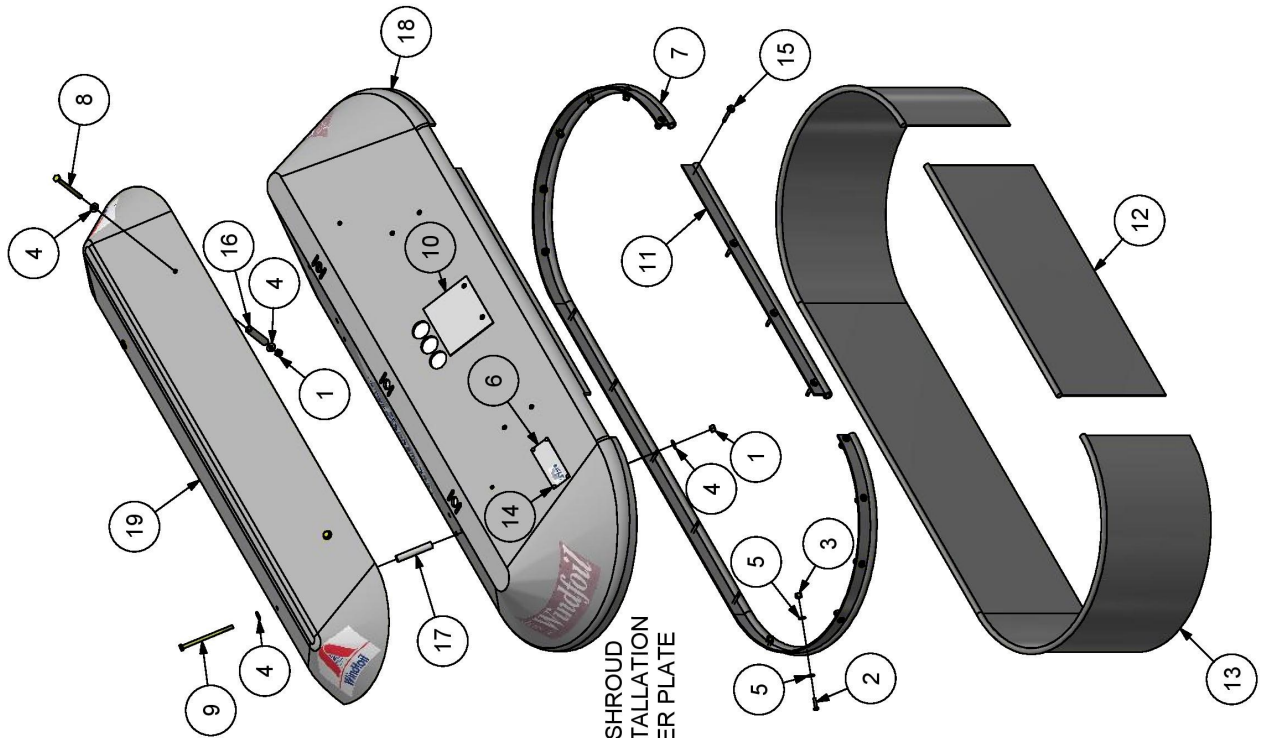
Keep the unit covered or stored indoors.

Approximate Weight of Units

MODEL	Weight (Lbs)	Weight (Kg)
WG3/FG3	53.6	24.3
WG4/FG3	55.4	25.1
WG6/FG3	61.4	27.9

WG3 Shroud Assembly Part # 15565

PARTS LIST			
ITEM	QTY	PART#	DESCRIPTION
1	4	00968	NUT NYLOCK 1/4NC PLD
2	12	01152	SCREW MACH C #10-24X3/4 TRUSS
3	12	01153	NUT NYLOCK #10 PLD
4	8	01157	WASHER FLAT SAE 1/4
5	24	01183	WASHER FLAT #10
6	1	01398	SERIAL PLATE
7	1	02566	FLEXI-SHIELD HANGER 91
8	2	05413	BOLT 1/4NCX3-1/2 PLD
9	2	05415	BOLT 1/4NCX4 PLD
10	1	13402	BACK PLATE 3 COL. FLOWMONITOR
11	1	14267	FLEXI-SHIELD HANGER 23.5
12	1	14270	FLEXI-SHIELD 9.625WX24
13	1	14271	FLEXI-SHIELD 9.625WX91
14	4	14470	RIVET POP 1/8X1/2 AL/STL
15	9	14472	SCREW TEK #12X1-1/4 NEPRN WASHER
16	2	14843	AIRFOIL STANDOFF BACK TUBE
17	2	14844	AIRFOIL STANDOFF FRONT TUBE
18	1	15531WG	SHROUD LP 50 GREY
19	1	15631WG	AIRFOIL 50 PREPPED WG



DRILL HOLES ON SHROUD ONLY AT THE INSTALLATION OF SERIAL NUMBER PLATE

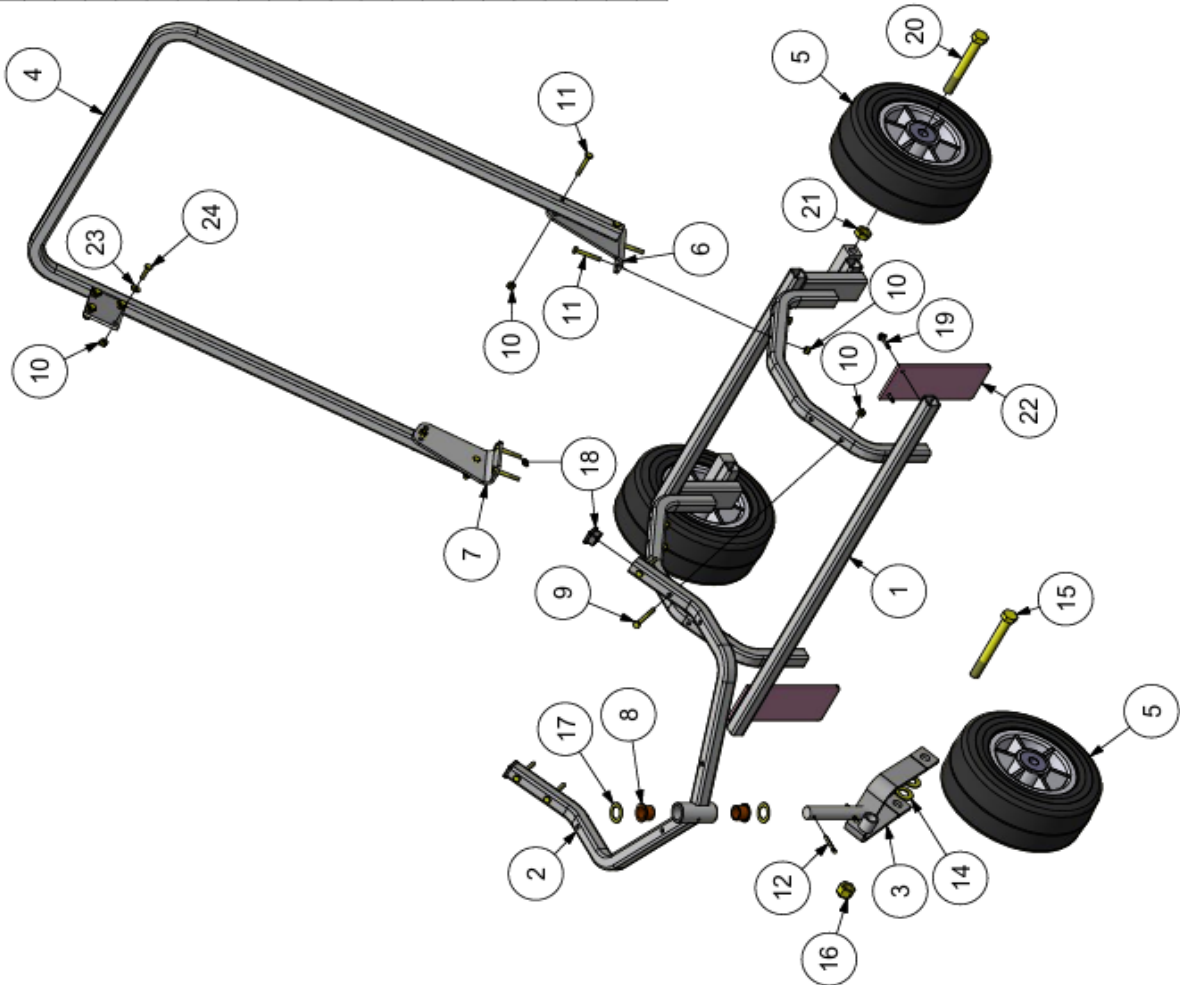
DRAWN: [REDACTED]	ROGERS SPRAYERS INC.
DATE CREATED: 10/11/2017	TITLE: WG3 SHROUD ASSEMBLY
PROJECT: WALKER SERIES	DWG NO: 15565
DATE CHECKED: 3/27/2018	SCALE: 1/12
	MATERIAL: [REDACTED]
	SIZE: A

WG3 Frame Assembly Part # 15563

PARTS LIST

ITEM	QTY	PART#	DESCRIPTION
1	1	14256	FRAME LP3
2	1	14028	CASTOR MOUNT ASSEMBLY WALKERS
3	1	01599	CASTOR FORK WALKER ASBY
4	1	15457	HANDLE BAR ASSY SS H/FED
5	3	15929	WHEEL EP LD
6	1	13041L	HANDLE MOUNT BRACKET LEFT
7	1	13041R	HANDLE MOUNT BRACKET RIGHT
8	2	14212	BUSHING IG 1.0X0.875X0.75W/FLAN
9	4	00966	BOLT 1/4NCX2.5 PLD
10	16	00968	NUT NYLOCK 1/4NC PLD
11	8	05409	BOLT 1/4NCX1-3/4 PLD
12	2	00965	PIN COTTER STL 3/16X1-1/2
13	1	00972	FTG STL NIP GREASE 1/4NF
14	2	07619	WASHER FLAT SAE 5/8 PLD
15	1	05459	BOLT 5/8NCX5-1/2 PLD
16	1	01051	NUT NYLOCK 5/8NC PLD
17	2	05593	WASHER MACHINE 7/8
18	2	01056	PLUG PLASTIC 1 SQUARE
19	4	14471	SCREW TEK #12X1 NEPRN WASHER
20	2	12387	BOLT 5/8NCX5 PLD
21	2	13709	NUT JAM 5/8NC PLD
22	2	14261	CURTAIN SUPPORT LP FRONT
23	4	01157	WASHER FLAT SAE 1/4
24	4	01164	BOLT 1/4NCX1 PLD

NOTE:
BATTERY MOUNT HOLES (4)
IN PART # 14028 ARE NOT
REQUIRED.

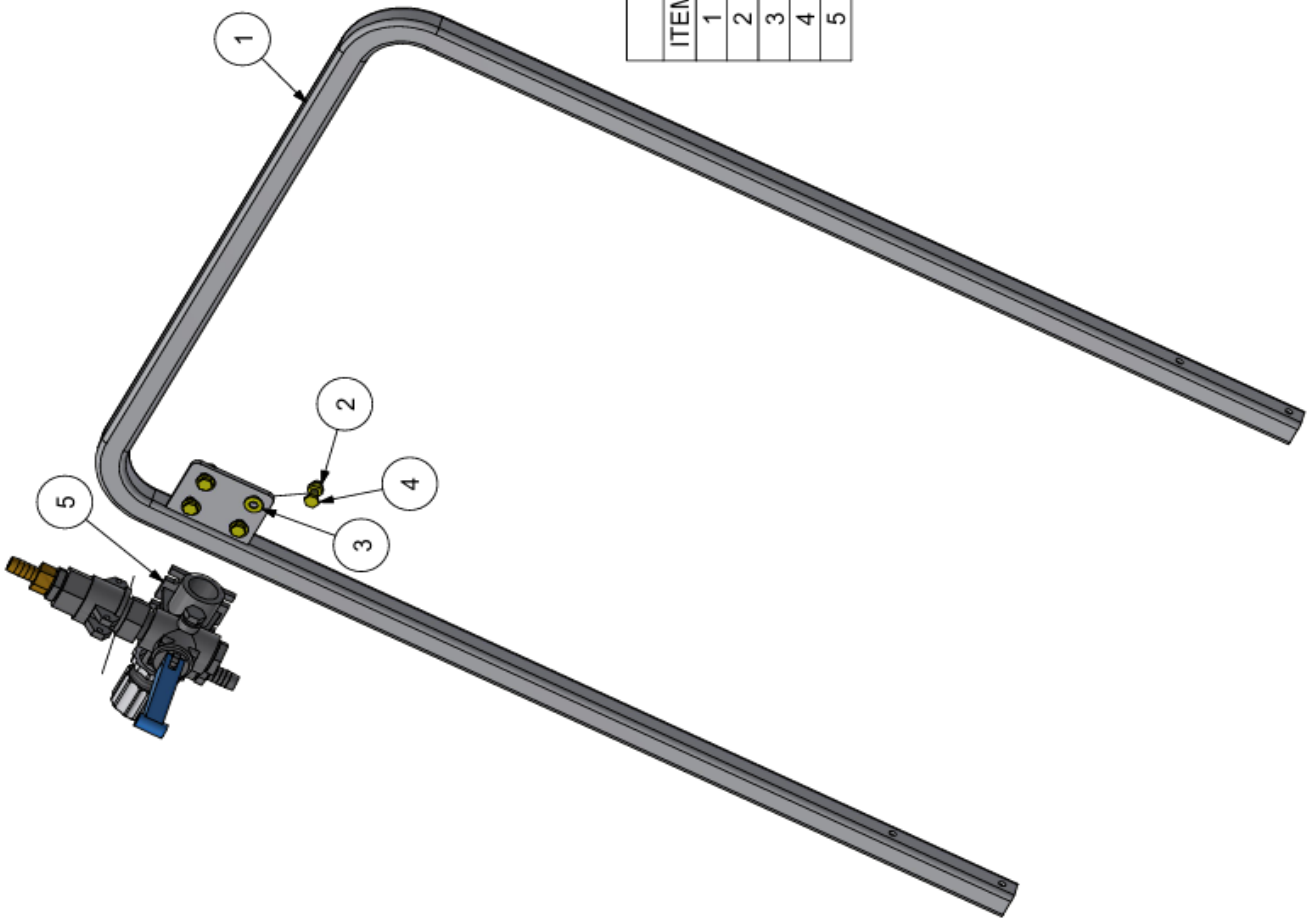


DRAWN: SERIAL	ROGERS SPRAYERS INC.
DATE CREATED: 11/1/2017	TITLE WG3 FRAME ASSEMBLY
PROJECT: WG3 FRAME ASSEMBLY	DWG NO
WALKER SERIES	DATE CHECKED: 15563
DATE CHECKED: 11/1/2017	SCALE 1/12
	MATERIAL
	SIZE A

Alternate Valve Assembly Part # 15560Alt

ALTERNATE VALVE ASSEMBLY USED ON THE WG SERIES. WHEN ORDERING A NEW VALVE, IF THE HANDLE OF THE VALVE IS BLUE, THIS IS THE VALVE YOU NEED.

IF THE ORIGINAL VALVE HANDLE IS GREY, YOU NEED TO ORDER THE FOLLOWING PART # 14530 - FOR WG6 UNITS
PART # 14531 - FOR WG3 AND WG4 UNITS



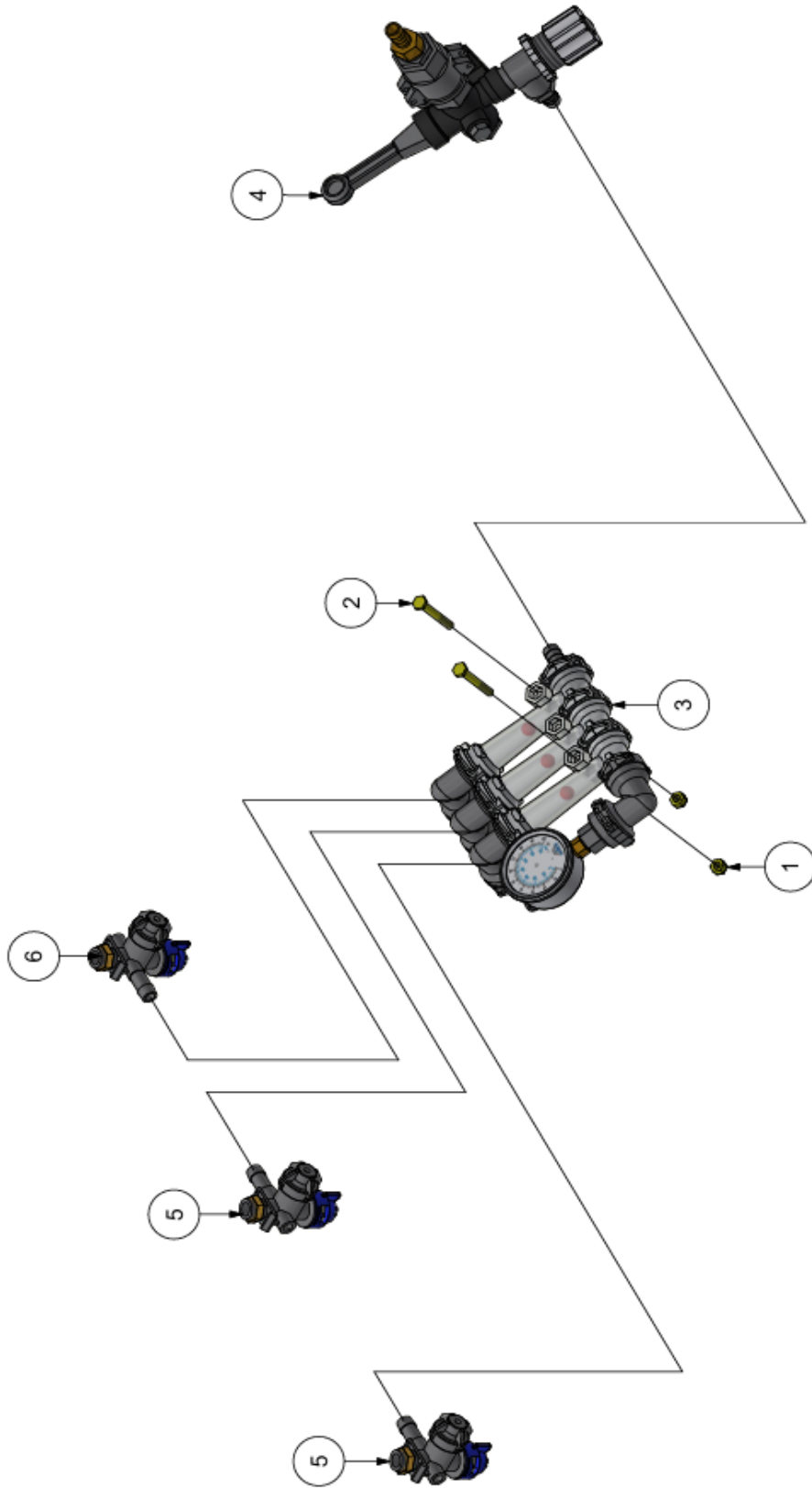
PARTS LIST		
ITEM	QTY	DESCRIPTION
1	1	HANDLE BAR ASSY DEL H/FED
2	4	NUT NYLOCK 1/4NC PLD
3	4	WASHER FLAT SAE 1/4
4	4	BOLT 1/4NCX1 PLD
5	1	VALVE ASSBY WG3&4 DEL

DRAWN: MERVIN BILINSKI		ROGERS SPRAYERS INC.	
DATE CREATED: 11/12/2017		TITLE: ALT DELAVAN ASSBY 3&4"	
PROJECT: WALKER SERIES		DWG NO: 15560Alt	
DATE CHECKED: 2/3/2022		SCALE: 1:1	
		MATERIAL: 304	
		SIZE: A	

WG3 Plumbing Assembly Part # 15564

PARTS LIST

ITEM	QTY	PART#	DESCRIPTION
1	2	00968	NUT NYLOCK 1/4NC PLD
2	2	01070	BOLT 1/4NCX2 PLD
3	1	14392	FLOW KIT 3 COL W/GAUGE
4	1	15459	VALVE ASSBY HOSE FED SS WG3&4
5	2	14298	NOZZLE ASBY, S TJR 04
6	1	14299	NOZZLE ASBY, S TJL 04

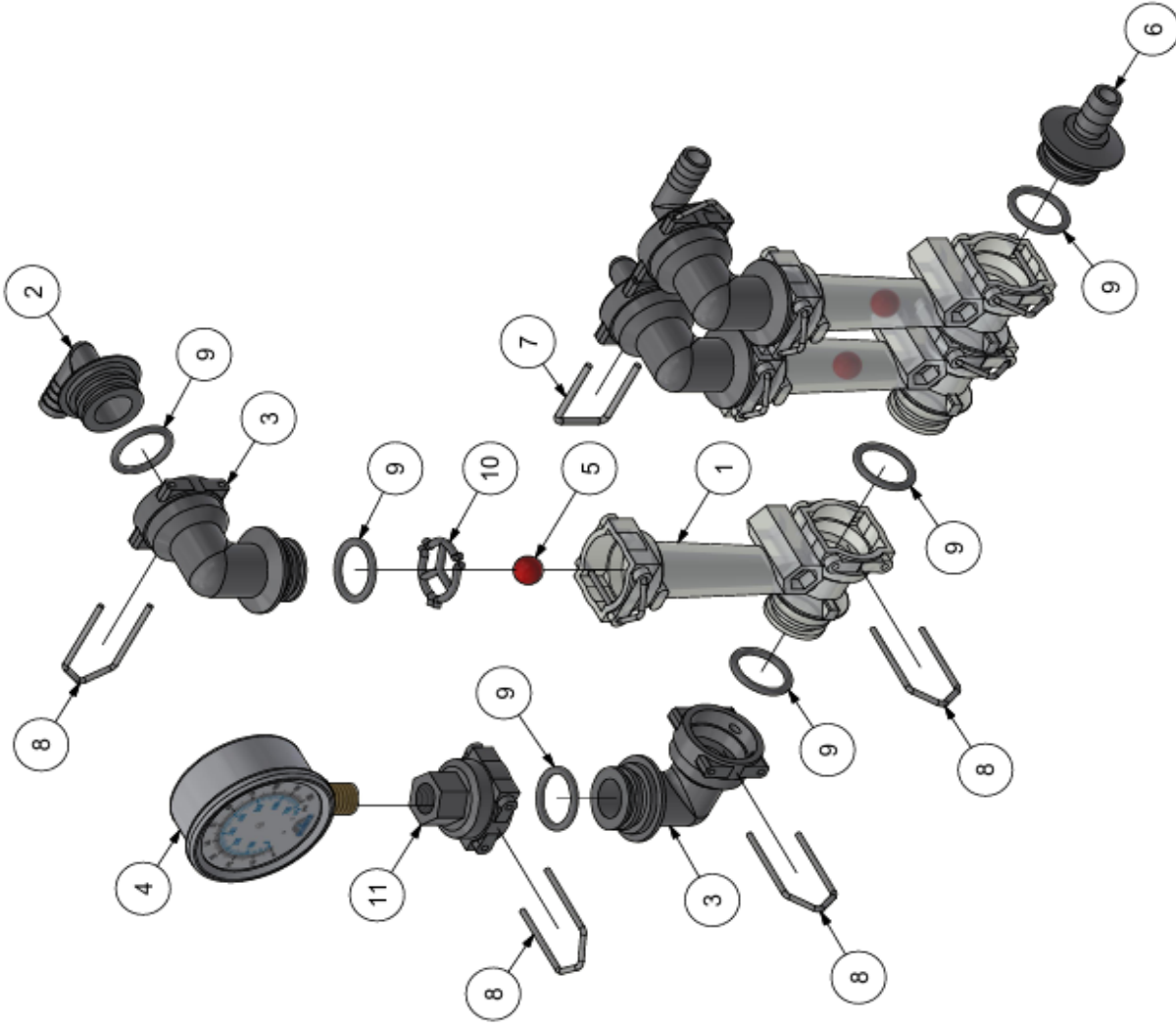
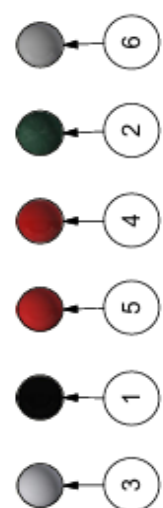


DRAWN: MERVIN BILINSKI		ROGERS SPRAYERS INC.	
DATE CREATED: 11/16/2017		TITLE: WG3 PLUMBING ASSEMBLY	
PROJECT: WALKER SERIES		DWG NO: 15564	
DATE CHECKED: 2/14/2019		SCALE: 1:1.55	
MATERIAL:		SIZE: A	

Flow monitor Assembly (part# 14392)

PARTS LIST			
ITEM	QTY	PART#	DESCRIPTION
1	3	00889	FLOWMONITOR BODY ORC
2	3	00906	FTG WIL POLY ELB ST MORCXFORC
3	4	01115	FTG WIL POLY ELB ST MORCXFORC
4	1	01281	GAUGE PRESSURE 100PSI WET
5	3	11965	BALL FI. GLASS RED/BLUE (0.09-0.72)
6	1	11975	FTG WIL POLY ADPT MORCX1/2HB
7	1	11976	ORC CLIP FLAT
8	10	11976a	ORC CLIP A STYLE
9	11	11984	O-RING ORC FLOWMONITOR
10	3	11989	BALL RETAINER ORC FLOWMONITOR
11	1	14423	FTG WIL POLY CAP W-1/4FNPT

PARTS LIST			
ITEM	QTY	PART#	DESCRIPTION
1	1	01118	BALL FI. POLYP BLACK (0.09-0.3)
2	1	01119	BALL FI. POLYP GREEN (0.05-0.18)
3	1	11964	BALL FI. POLYP WHITE (0.05-0.20)
4	1	11965	BALL FI. GLASS RED/BLUE (0.09-0.72)
5	1	11990	BALL FI. CELCON RED (0.09-0.30)
6	1	11991	BALL FI. SS (0.31-1.33)

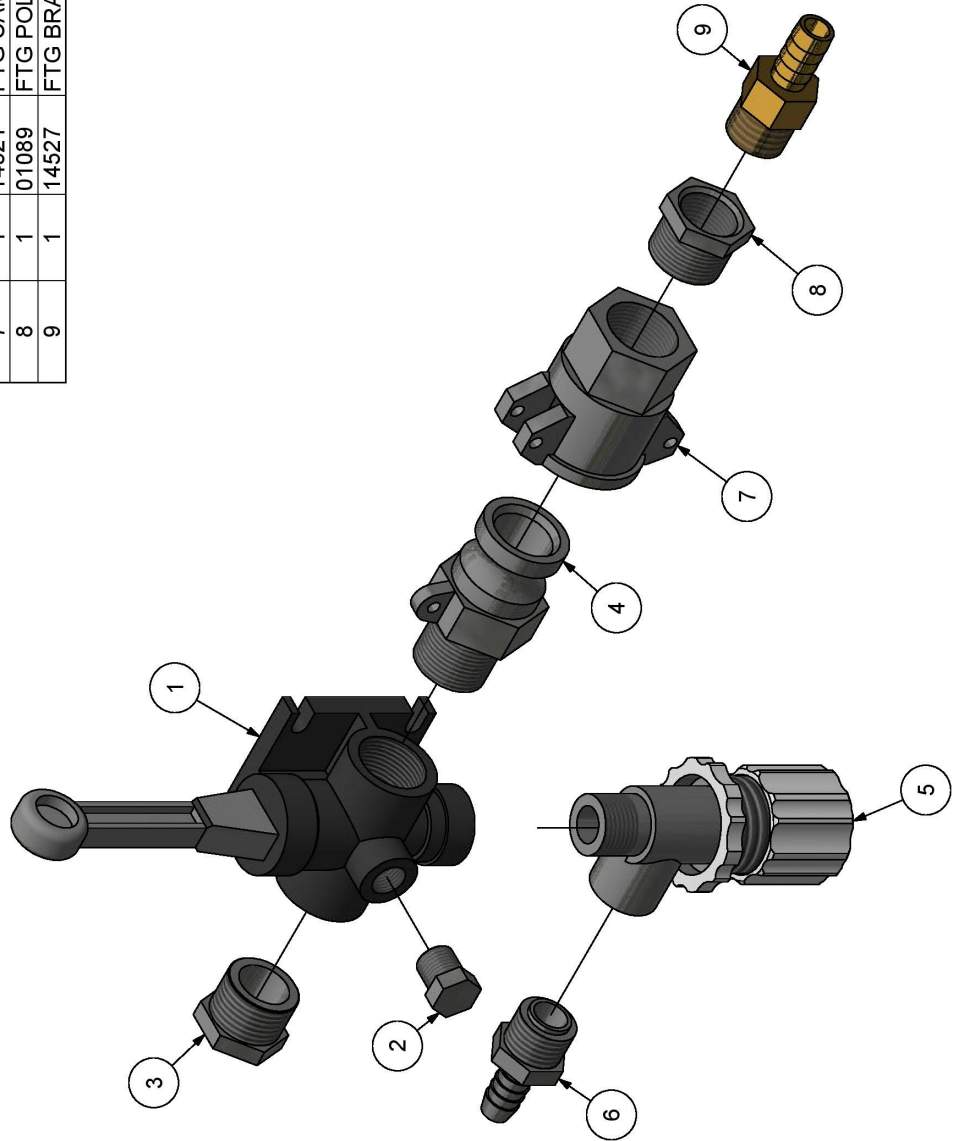


NOTE:
 ITEM #7 (PART #11976) IS ONLY
 USED ON THE CENTER COLUMN
 IN BETWEEN STREET ELBOWS.

DRAWN: MERVIN BILINSKI		ROGERS SPRAYERS INC.	
DATE CREATED: 11/15/2017	TITLE: FLOW KIT 3 COL W/GAUGE		
PROJECT: WALKER SERIES	DWG NO: 14392		
DATE CHECKED: 2/14/2020	SCALE: 1:1	MATERIAL:	SIZE: A

Valve Assembly (part# 15459)

PARTS LIST			
ITEM	QTY	PART#	DESCRIPTION
1	1	14468	VALVE MANUAL BOOM SS GREY
2	1	06429	FTG POLY PLUG 1/4MNPT
3	1	05916	FTG POLY PLUG 3/4MNPT
4	1	14097	FTG CAMLOCK 3/4MCAMX3/4MNPT
5	1	04698	VALVE THROTTLE POLY 1/2MNPT
6	1	05527	FTG POLY ADPT 1/2MNPTX1/2HB
7	1	14521	FTG CAMLOCK 3/4FCAMX3/4FNPT
8	1	01089	FTG POLY RDCR 3/4MNPTX1/2FNPT
9	1	14527	FTG BRASS ADPT 1/2MNPTX1/2HB SWIVEL



DRAWN: JSE/JPAL	ROGERS SPRAYERS INC.
DATE CREATED: 11/17/2017	TITLE: VALVE ASSBY HOSE FED SS 3&4
PROJECT: PLUMBING	DWG NO: 15459
DATE CHECKED: 11/17/2017	SCALE: 1:1
	MATERIAL: 13
	SIZE: A

Optional Parts for WG/FG Series Sprayer

Tow Hitch Upgrade

Part # F111

This attachment allows you to tow your sprayer behind a small utility vehicle outfitted with a pin hitch. The hitch attaches to a mounting bracket located on the front castor wheel of the sprayer. Tow bar installs and removes in seconds.



Note : WE3 pictured.

Speedometer Kit

Part # 13368

The Speedometer Kit provides a reading in mph or kph of your forward speed. This aids in the accuracy of applying specific application rates. This option can be ordered installed from factory or later on as a kit.



Front Transport Mount Kits

Part # 14349 - Toro 5700

Part # 14350 - Toro 1250

Part # 14351 - Toro Workman (w/ round bumper)

The Front Transport Mount Kits are a handy attachment that allows you to store your hose-fed walker when moving around. It locks securely to your work vehicle.



Optional Flow Monitor Balls

See *Flow Monitor Assembly Drawing* for Part Numbers

Various colors and weights of balls are available to assist accurate viewing of the flow indicators. I.e. Heavier balls are used for larger application rates.

Rogers Sprayers Inc. (RSI)
141 - 105th Street East
Saskatoon, SK S7N 1Z2 Canada



Tel.: (306) 975-0500 or (888) 975-8294
Fax: (306) 975-0499
Email: info@rogerssprayers.com

ROGERS SPRAYERS INC OWNER WARRANTY AGREEMENT

Windfoil Drift Containment Spray Systems (DCSS) are warranted to be free of factory defects under normal and intended use for a period of one (1) year from date of purchase to the original purchaser. Equipment must be setup in accordance with factory instructions and operated, maintained and used in accordance with the operator's manual. Equipment used for rental has a warranty period of forty five (45) days. Any customization or modifications to the original equipment voids warranty immediately.

RSI reserves the right not to warranty any items that are not directly manufactured by RSI. Such components need to be returned to the factory for inspection and tested by either RSI or the original manufacturer for defects. Examples of these parts include actuators, engines, pumps and electrical systems.

All warranty Claims must be pre-authorized by the factory!

To obtain warranty, all defective parts must be returned to the factory; in some cases, location of part might require only photo of defective part. RSI must be contacted to determine which route is required. RSI through its designated dealer or factory appointed representative will repair or replace, at its option, any or all parts that are proven to be defective free of charge.

RSI DOES NOT pay or reimburse for any travel time or investigation time to determine the defective part. Warranty labor will be based on the time required for RSI to replace only the part. Warranty labor rates and replacement times will be assessed yearly and will be included in a labor replacement sheet.

This warranty does not apply to damage caused by misuse, accident, acts of god, and/or operation without proper servicing. RSI will not be responsible for consequential damages; its liability is limited to replacement of parts.

Standard wear components (see list) such as belts, nozzles, screens, bearings, wheels, flow indicator bodies or flow indicator parts are only warranted for 30 days after original purchase.

RSI makes no other expressed, implied or statutory warranty; nor is anyone authorized to make any on our behalf.

Complete your Warranty Registration online at www.rogerssprayers.com

The warranty registration is found on the Contact page of our website. The warranty registration **MUST** be filled out completely and submitted to RSI to activate the warranty. If you would prefer, a printable copy is also available online.

It is our intention to manufacture durable, user-friendly products. Any suggestions you have as to how we may improve our equipment are greatly appreciated.

EC Declaration of Conformity

WE,

Rogers Sprayers Inc.
141 - 105th St East
Saskatoon, Saskatchewan, S7N 1Z2
Canada

declare that the following products

Machine Type: Rear mounted spray boom

Model: WGF11, FGF11, WA5000E, WA5000, FA5000E, FA5000

Machine Type: Pedestrian Boom

Model: WG3, WG4, WG6, FG3, FG4, FG5

Machine Type: Pedestrian Spray Boom

Model: WE3, WE4, WE6, FE3, FE4, FE6

is in conformity with the provisions of the following European Directive(s)

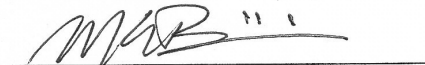
Directive	Number	Certification Method
Machinery Directive	98/37/EC	Self-Certification
Machinery Directive	2006/42/EC	Self-Certification

And the following Standard:

SS-EN 907
EN ISO 4254-1:2009
EN ISO 4254-6:2009

The original copy of this document is kept at Rogers Sprayers Inc. with copies of the relevant test data and certificates, which constitute the required technical file for self declaration.

Place of declaration: Saskatoon, Saskatchewan, Canada
Date of declaration: May 3, 2011



Name: Mervin Bilinski, P. Eng.
Title: President
Rogers Sprayers Inc.



ROGERS SPRAYERS INC.

141 - 105th Street East
Saskatoon, SK S7N 1Z2
Canada

Phone: (306) 975-0500
Fax: (306) 975-0499
Email: info@rogerssprayers.com
Web: www.rogerssprayers.com